

IN-GROUND STAINLESS STEEL PATHWAY LIGHT (3W)

MODEL: AL-IG-PW



Description

These pathway lights feature a stainless steel light-head and a stainless steel body and are designed to stand up in the toughest high-traffic environments and are waterproof with an IP65 rating.

This fixture is available in several versions (single cutout, double cutouts on the same side, double cutouts on the opposite sides, and four cutouts). Withstands standard motor vehicle traffic (golf carts, cars, 3/4 ton pickup trucks). See photos for more details about cut-out options.

Make your installation a breeze by ordering with our aspectLED AL-IG-A21-MS mounting sleeve - designed specifically for our stainless steel pathway light.

Learn more



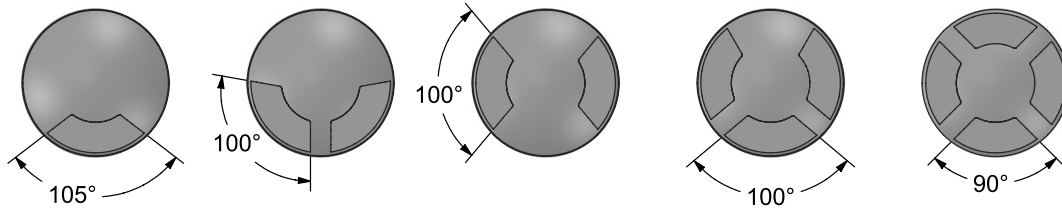
www.aspectLED.com | 888.503.1317 | sales@aspectled.com

For general information purposes only. Specifications, dimensions and construction not guaranteed and are subject to change without notice. Copyright © 2020 ASP Holdings, Inc. All rights reserved.

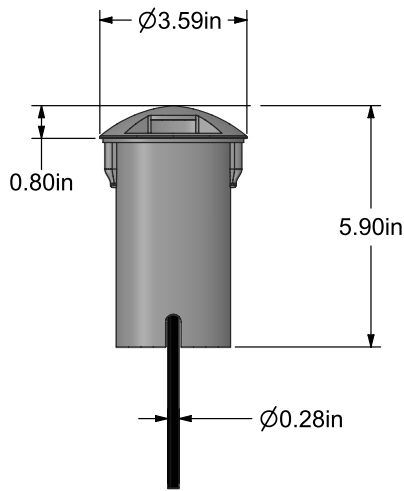
	12VDC	24VDC	12VAC
Light Fixture Dimensions <i>(without mounting sleeve)</i>	3-9/16" (92mm) diameter 2-13/16" (71mm) deep 2-1/2" (64mm) cut-hole size	3-9/16" (92mm) diameter 2-13/16" (71mm) deep 2-1/2" (64mm) cut-hole size	3-9/16" (92mm) diameter 2-13/16" (71mm) deep 2-1/2" (64mm) cut-hole size
Input Voltage	12VDC	24VDC	12VAC
Dimmable	No	No	No
Nominal Power Consumption	Absolute Max: 3 Watts Normal: 1.5-2.2 Watts	Absolute Max: 3 Watts Normal: 1.5-2.2 Watts	Absolute Max: 3 Watts Normal: 1.5-2.2 Watts
Max Luminous Flux of LED Array	300 Lumens <i>(varies by LED color)</i>	300 Lumens <i>(varies by LED color)</i>	300 Lumens <i>(varies by LED color)</i>
LED Type	SMD LED Chips	SMD LED Chips	SMD LED Chips
LED Quantity	3 - High Power 1 Watt LEDs	3 - High Power 1 Watt LEDs	3 - High Power 1 Watt LEDs
Fixture Material	Stainless Steel and Aluminum Alloy	Stainless Steel and Aluminum Alloy	Stainless Steel and Aluminum Alloy
Trim Material	Brushed 304 Stainless Steel <i>(316 available as special order)</i> Clear Glass Lens	Brushed 304 Stainless Steel <i>(316 available as special order)</i> Clear Glass Lens	Brushed 304 Stainless Steel <i>(316 available as special order)</i> Clear Glass Lens
Lens	Optical, >85% efficient	Optical, >85% efficient	Optical, >85% efficient
Glass	Step-tempered glass	Step-tempered glass	Step-tempered glass
Waterproof Seal	Silicone seal	Silicone seal	Silicone seal
IP Rating	IP65	IP65	IP65
Load Rating	1,760 psi	1,760 psi	1,760 psi
Fixture Weight	1.6 lbs	1.6 lbs	1.6 lbs
Average Lifespan	50,000 hours	50,000 hours	50,000 hours
Warranty	1 Year	1 Year	1 Year
Suitable Uses	Dry, Damp or Wet Locations	Dry, Damp or Wet Locations	Dry, Damp or Wet Locations
Compatible Power Supplies	Non-Dimmable Power Supplies <i>(Never use with MLV power supplies!)</i>	Non-Dimmable Power Supplies <i>(Never use with MLV power supplies!)</i>	12VAC Power Supplies <i>(Not compatible with standard 12VDC power supplies.aspectLED does not currently supply 12VAC power supplies.)</i>
Standards / Certifications	RoHS	RoHS	RoHS

Light Fixture Dimensions

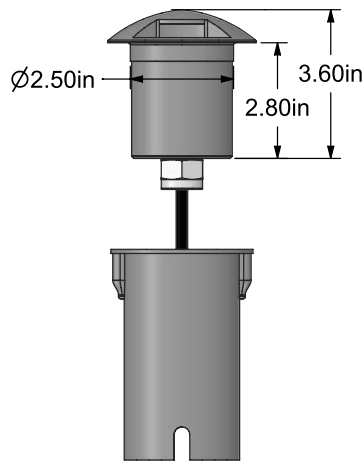
TOP VIEW - ALL OPENING OPTIONS SHOWN



**SIDE VIEW
INSTALLED IN SLEEVE***
(dimensions are the same
regardless of number of openings)

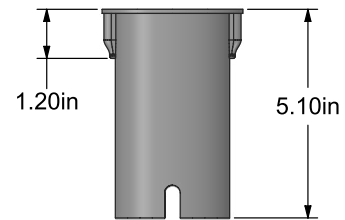


**EXPLODING VIEW WITH
MOUNTING SLEEVE**

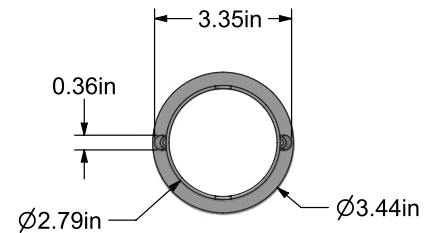


**SIDE VIEW
SLEEVE ONLY***

* Mounting sleeve is optional and
can be purchased separately.



**BOTTOM VIEW
SLEEVE ONLY**



IN-GROUND STAINLESS STEEL PATHWAY LIGHT (3W)
MODEL: AL-IG-PW

Accessories

30 Watt LED Power Supply
 SKU: AL-PS-W-30



60 Watt LED Power Supply
 SKU: AL-PS-W-60



100 Watt LED Power Supply
 SKU: AL-PS-W-100



200 Watt LED Power Supply
 SKU: AL-PS-W-200



Touch! Wireless RGB LED Controller*
 SKU: AL-CTLR-TOUCH

** for color changing version only*



Mounting Sleeve for Pathway Light (AL-IG-A21)
 SKU: AL-IG-A21-MS



SKU Builder

MODEL #:

AL-IG-PW

CUT-OUTS:

[Empty box for cut-outs]

- A1** - 1 Cut-Out
- A2S** - 2 Cut-Out Same Side
- A2** - 2 Cut-Out Opposite Side
- A3** - 3 Cut-Out
- A4** - 4 Cut-Out

LED COLOR:

[Empty box for LED color]

- WW** - Warm White
- CW** - Cool White
- DW** - DayWhite
- R** - Red
- G** - Green
- B** - Blue
- Y** - Yellow/Amber
- RGB** - RGB
- RGBW** - RGBW

VOLTAGE:

[Empty box for voltage]

- 12V** - 12VDC
- 24V** - 24VDC
- 12VAC** - 12VAC

WIRE LEAD LENGTH:

[Empty box for wire lead length]

- 2 FT** - 2 feet
- 25FT** - 25 feet
- 50FT** - 50 feet
- 100FT** - 100 feet