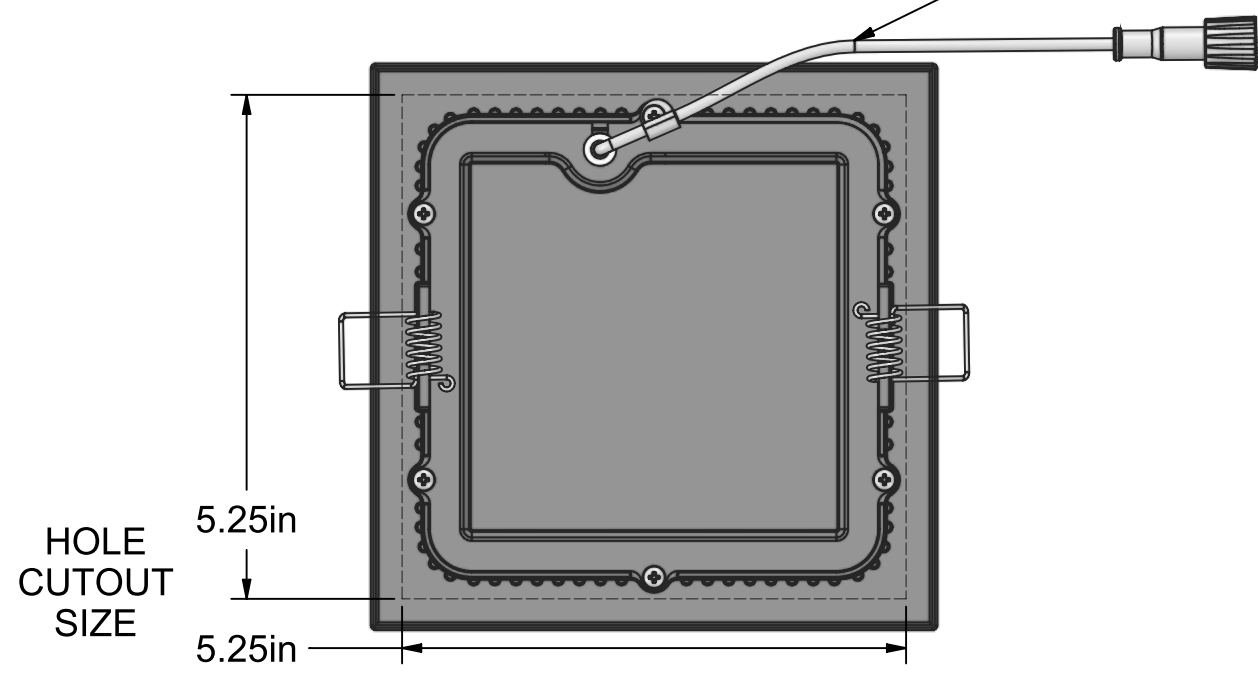

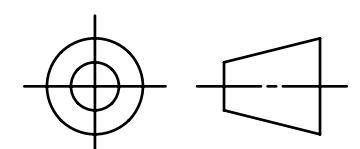


MIN 5.00in CABLE LENGTH



		DESCRIPTION AL-RL-UTS-6	
		CREATED 5/12/2021	
CONFIDENTIAL. Copyright © 2021 ASP Holdings, Inc. All Rights Reserved. All specifications subject to change at anytime without prior notice.  The products shown herein incorporate features and technologies that are the sole intellectual property of ASP Holdings, Inc		LAST SAVED 5/12/2021 4:24:04 PM	
		DRAWN BY DP	REVISION 2
THIRD ANGLE PROJECTION 		SHEET 1 OF 1	SCALE 1:2
		MATERIAL -	
		FINISH -	