

# Mud In Channel Strip Light Kit

AL-KIT-MUD-3K-24-96

Accent Lighting Starter Kit



## DESCRIPTION

The Mud-In Channel Kit is a complete solution for creating clean, seamless accent lighting that's fully integrated into walls, ceilings, or architectural features. Designed for a 16' installation, this all-in-one kit includes everything you need to get the job done from start to finish.

It offers a sleek, professional way to protect and diffuse your strip lights while delivering smooth, modern illumination at any stage of your project. Control is simple with the included Casambi wireless controller, which pairs with the free Casambi mobile app, giving you intuitive control over color, brightness, and custom lighting scenes right from your smartphone.

## KEY FEATURES



Bluetooth



Dotless Cob



CRI 90



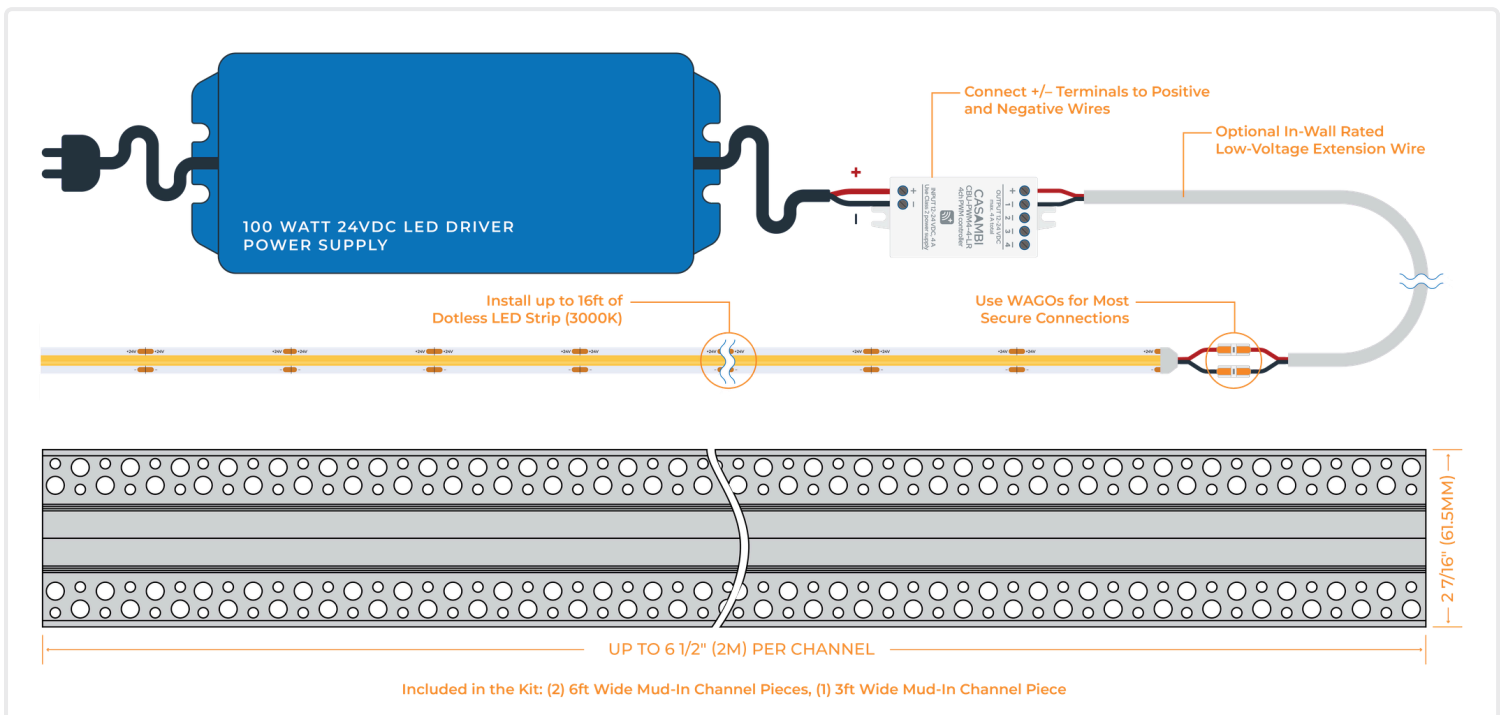
Build-Ready Kit

## SKU BUILDER

**AL-KIT-MUD-3K-24-96**

MUD-IN CHANNEL STRIP LIGHT KIT

## WIRING DIAGRAM



## WHAT'S INCLUDED

### Mud-In Strip Light Kit Breakdown



**2 | 6.5ft (2m) Wide Mud-In Channel**  
Silver Finish, Frost Lens

**1 | 3.3ft (1m) Wide Mud-In Channel**  
Silver Finish, Frost Lens

**1 | 16ft Reel of Dotless LED Strip**  
IP20 Non-Waterproof, 3000K Warm White

**1 | Reel of Extension Wire**  
17ft Reel, In-Wall Rated

**1 | 100 Watt Driver**  
24VDC Power Supply

**2 | WAGO Connectors**  
Lever-Action Splice Connection

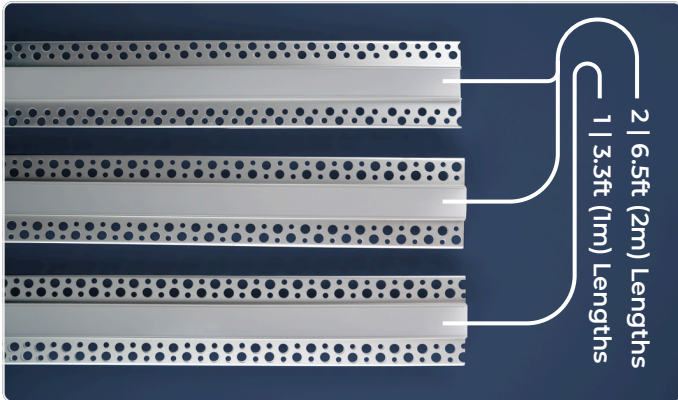
**1 | Casambi Controller**  
4 Channel, PWM Dimmer

# Mud-In Strip Light Kit

AL-KIT-MUD-3K-24-96

## Mud-In LED Channel, Wide

Dual-Wing Aluminum Mounting Track



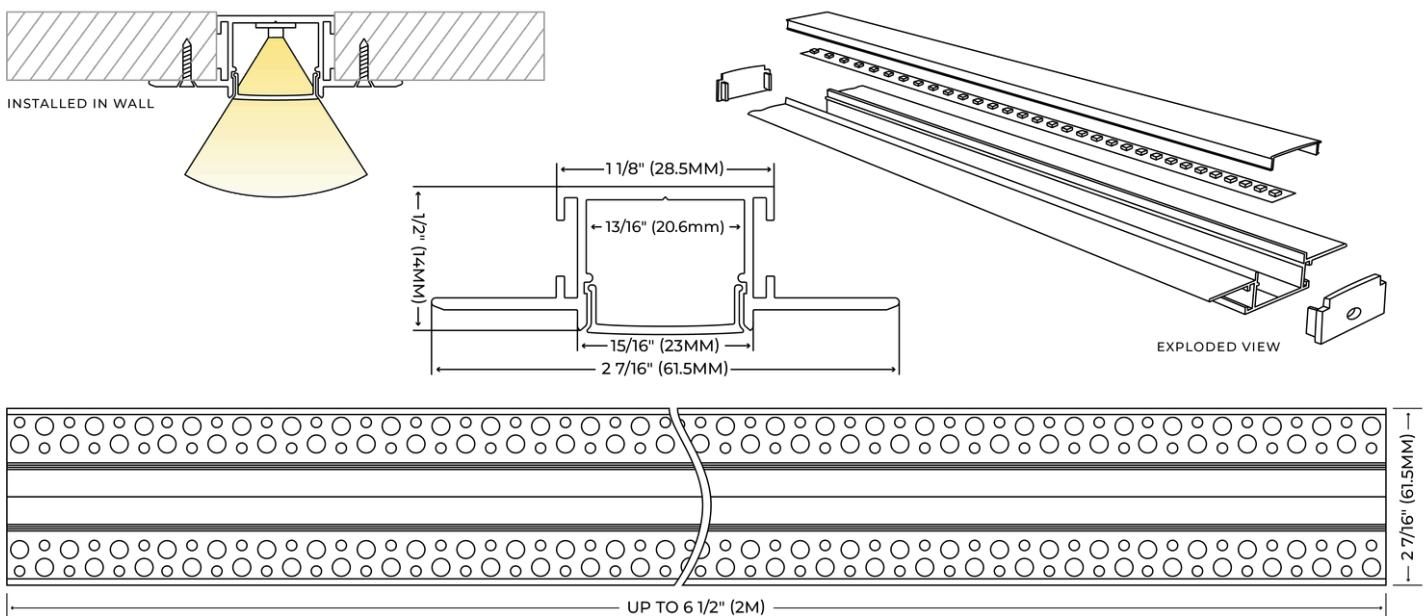
### DESCRIPTION

The Wide Mud-In Channel is a durable aluminum housing built to be seamlessly embedded into drywall during construction or renovation, offering a sleek way to protect and diffuse your strip lights and add custom lighting at any stage of your project. Customize your look with a frosted or smoke lens, depending on whether you want your lighting to stand out or stay subtly hidden.

This wide model has a 7/8" visible lens and accommodates strip lights up to 20mm wide.

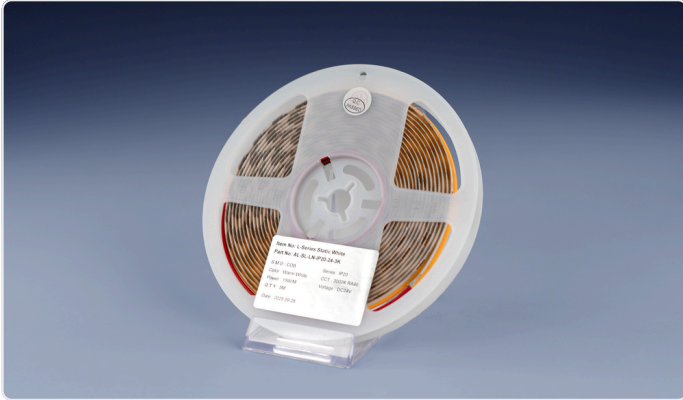
AL-TRK-MUD2-W	
Width	2.44" Wide
Depth	0.55" Deep
Length Options	6.5' (2m) or 3.3' (1m)
Channel Material	Aluminum
Included Components	Channel + Lens
Compatible Luminaires	Strip Lights < 20mm
Lens Color	Frosted
Lens Material	Polycarbonate
Warranty	1 year

### TECHNICAL DRAWING



## Dotless™ LED Strip Lights – Static White

16ft | COB Strip Light | 3000K



### DESCRIPTION

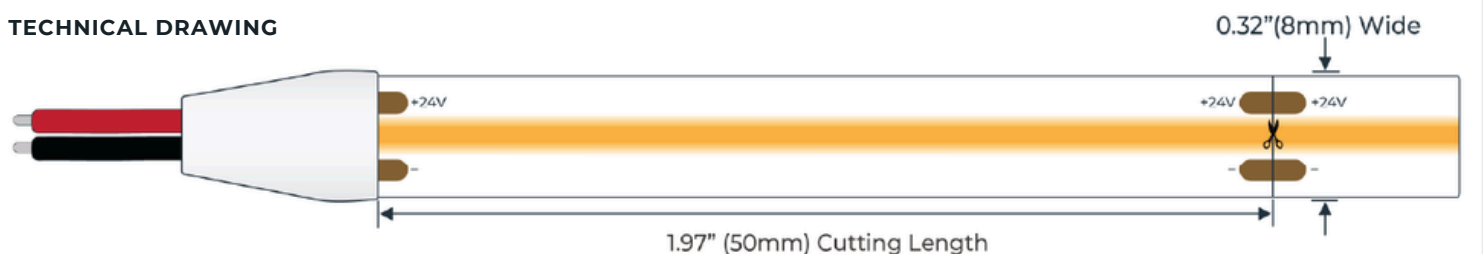
Static White Dotless Strip Lights are the ideal choice for visible installations where you want a clean, continuous line of light; no visible diodes, no diffusion lens required. The Chip-on-Board (COB) design ensures smooth, uniform illumination that's perfect for accent or task lighting.

Easily cut every 1.96" to achieve the exact length your project requires. With a high 90+ CRI, these strip lights deliver crisp, accurate color and natural white tones for any space. Compatible with dimmable power supplies for complete brightness control.

### AL-SL-LN-IP20-24-3K

PHYSICAL		ELECTRICAL	
Dimensions	16.4' (5m)   0.314" (8mm)   0.087" (2.2mm)	Input Voltage	24VDC
Cut Length	1.96" (50mm)	LED Type	COB
Adhesive Backing	Yes	LED Quantity	146 LEDs/ft (480 LEDs/m)
Mounting Method	Adhesive	Max. Power Consumption	4.6W/ft (15W/m)
Average Lifespan	50,000 Hours	Max Run Length	16.4' (5m)
Warranty	3 Years	Compatible Connectors	L-Series Single Color Connectors
PHOTOMETRIC		ENVIRONMENTAL	
CRI	90	IP Rating	IP20
Max Luminous FLux	Up to 438.89 Lumens/ft	Suitable Uses	Dry, Indoor
Efficacy (Lumens/Watt)	Up to 96 Lumens/Watt	Max. Operating Temp	-4 – 122°F (-20 – 50°C)
Beam Angle	180°	Max Storage Temp	-22 – 176°F (-30 – 80°C)
LED Color	3000K	CONTROL	
CERTIFICATIONS	CE UL RoHS LM80	Dimmable	Yes

### TECHNICAL DRAWING



## Casambi Wireless Controller

4 Channel Bluetooth PWM Long Range Controller



### DESCRIPTION

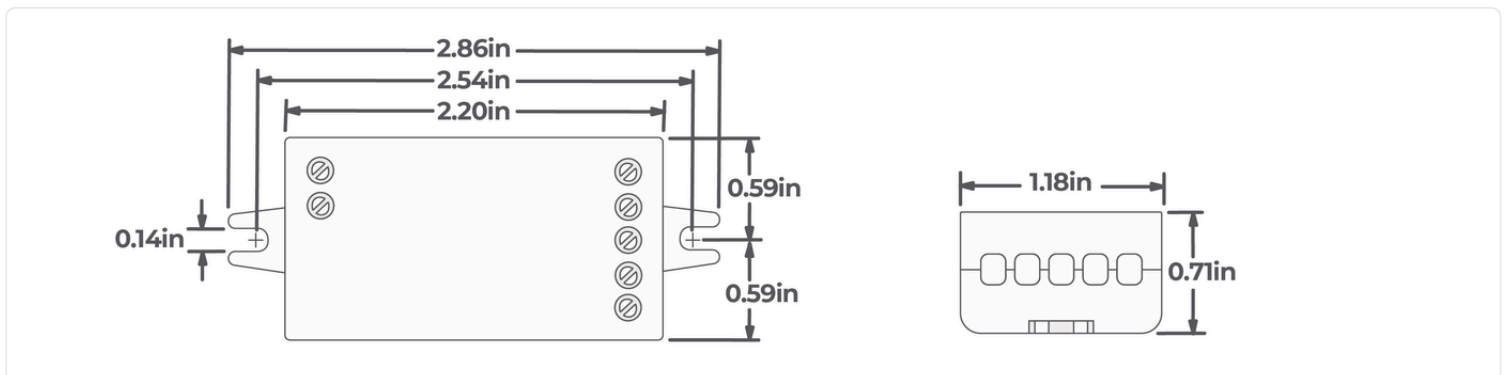
The Casambi 4-Channel PWM Wireless Controller is a Bluetooth-enabled dimmer designed for constant-voltage LED strip, neon, and light sheet systems. Built for flexibility and ease of use, this 4-channel controller supports static white, tunable white, RGB, and RGBW LED configurations. Casambi's Bluetooth mesh technology allows users to control up to 250 devices within a single network, making it one of the most scalable wireless lighting control systems available. With an estimated range of up to 200 feet indoors and 650 feet outdoors, it's an ideal solution for reliable, long-range, hands-free lighting control.

As a Class 2 device, the PWM 4 supports a maximum load of 96W at 24V or 48W at 12V. Control and configuration are handled through the Casambi mobile app, available on both iOS and Android. This product is not compatible with aspectLED's RGBW Signal Amplifier (AL-CTLR-RPT4).

### AL-CTLR-CBU-PWM4-LR

PHYSICAL		ELECTRICAL	
Dimensions	2-3/16" (56mm), 1-3/16" (30mm), 3/4" (18mm)	Input and Output Voltage	12-24VDC
Weight	0.81 oz (23g)	Power Source	12VDC or 24VDC Non-Dim Driver
Warranty	1 year	Input and Output Current	4 Amps
CONTROL		Wire Connections	14-22 AWG Solid or Stranded
Controls	Casambi App (iOS or Google Play) Casambi XPress Wireless Wall Controller	Max Output Power	48W @ 12VDC   96W @ 24VDC
STANDARDS/CERTIFICATIONS		ENVIRONMENTAL	
UL/cUL Listed   CE   FCC		IP Rating	IP20
Dimming Method	Pulse Width Modulation (PWM)	Suitable Uses	Dry, Indoor
Wireless Protocol	Casambi Bluetooth Mesh Network	Max. Operating Temp	-25°C to 45°C (-13°F to 113°F)
		Max Relative Humidity	0...80%

### TECHNICAL DRAWING



## 100 Watt LED Power Supply

24VDC Non-Dimmable Driver

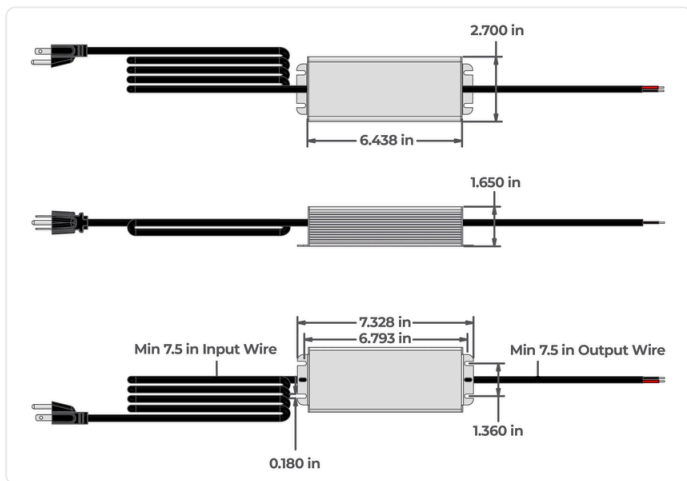


### DESCRIPTION

We offer a full line of constant voltage LED power supplies (drivers/transformers). A high quality constant voltage power supply/transformer results in your LED lights using less energy, shining brighter, and lasting longer. That's why aspectLED offers the highest quality LED power supplies.

All of our power supplies are energy efficient and eco friendly. Our power supplies feature flexible input voltage (100-265VAC) and can be ordered in 12VDC or 24VDC outputs. Wattage displayed is the Maximum Wattage. These power supplies are rated to run at 80% continuous wattage or 76 Watts continuous.

### TECHNICAL DRAWING



AL-PS-W-100-24			
PHYSICAL		ELECTRICAL	
Dimensions	6-7/16" (164mm)   2-11/16" (68mm)   1-5/8" (48mm)	AC Voltage Range	100-265VAC
Weight	1.89 lbs (0.86 kg)	AC Current	0.92A @ 110VAC
Warranty	1 year	Frequency Range	47-63Hz
Housing Material	Aluminum	Inrush Current	50A
Mounting Method	Mounting Tabs	Efficiency	>87%
Recommended Enclosure	AL-PS-BX-LG (Optional)	DC Voltage	24VDC
ENVIRONMENTAL + CONTROL		Max Output Current	4.0A
IP Rating	IP67	Max Output Power	96W
Suitable Uses	Dry and Damp Locations	Max Continuous Load	76.8W
Max. Operating Temp	-30°C to 50°C (-22°F to 122°F)	STANDARDS/CERTIFICATIONS	
Max. Storage Temp	-40°C to 80°C (-40°F to 176°F)	ETL Listed   ROHS   CE	
Dimmable	No		



For general information purposes only. Specifications, dimensions and construction not guaranteed and are subject to change without notice.