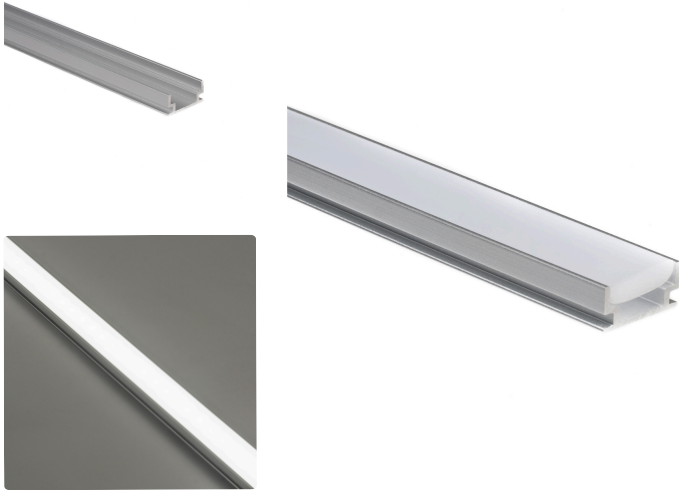


In-Floor Aluminum Mounting Channel

AL-TRK-INFLR

Durability-Tested Aluminum Mounting Channel



DESCRIPTION

This in-floor and in-wall aluminum channel is built from durable anodized aluminum and designed for pathway lighting applications where added durability is required. Engineered to withstand both foot traffic and vehicle load, it is ideal for high-traffic environments.

The included acrylic lens diffuses light evenly, creating a smooth, continuous line of illumination with no visible hot spots. Its sturdy construction protects strip lights while supporting efficient heat dissipation for long-term performance. Designed for architectural use, this channel delivers a clean, integrated look that enhances both durability and visual appeal.

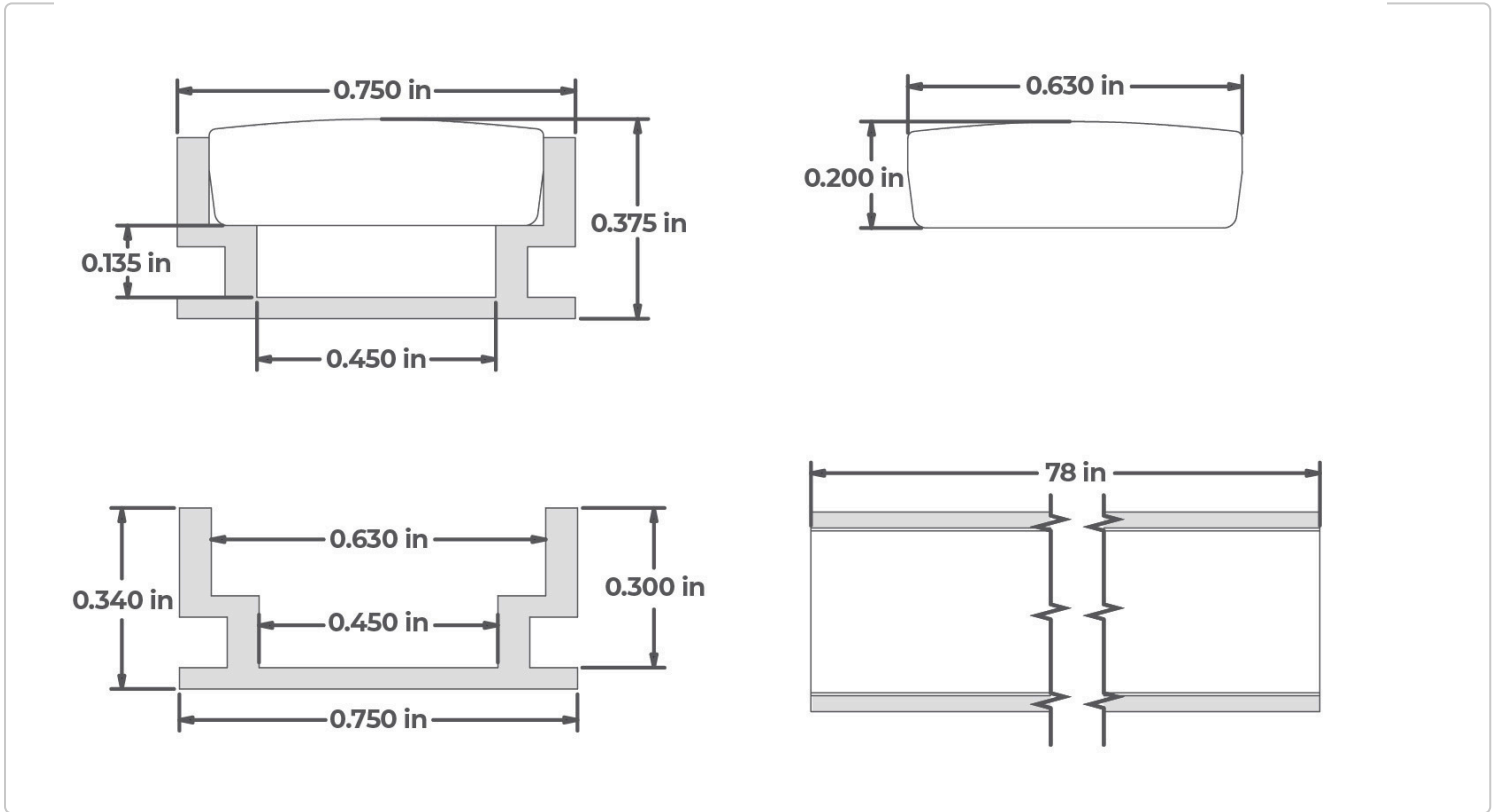


Silver + Frosted

PRODUCT SPECIFICATION CHART

PHYSICAL		DIFFUSING LENS	
Dimensions	0.75" Wide X 0.19" Tall	Lens Options	Frosted
Finish Colors	Silver	Lens Transmittance	Frosted 78%
Channel Material	Anodized Aluminum	Lens Material	Polycarbonate
WHAT'S INCLUDED		STRIP LIGHT COMPATIBILITY	
In-Floor Aluminum Mounting Channel		Compatible with all indoor-rated (IP20) aspectLED strip lights or other strip light products 12 mm wide or less.	
Protective Polycarbonate Diffusing Lens		ENVIRONMENTAL	
CERTIFICATIONS/WARRANTY		IP Rating	IP20
RoHS		Load Rating	IK06
Warranty	1 Year	Max Operating Temp	-4 - 122°F (-20 - 50°C)
		Suitable Uses	Dry, Indoor

TECHNICAL DRAWINGS



SKU BUILDER

AL-TRK-INFLR	—	
IN-FLOOR ALUMINUM MOUNTING CHANNEL		CHANNEL LENGTH
		39 – 3.3 Feet 6FT – 6.5 Feet

Find It Online!

Scan the link to check out our online product pages and discover more about your product.



For general information purposes only. Specifications, dimensions and construction not guaranteed and are subject to change without notice.