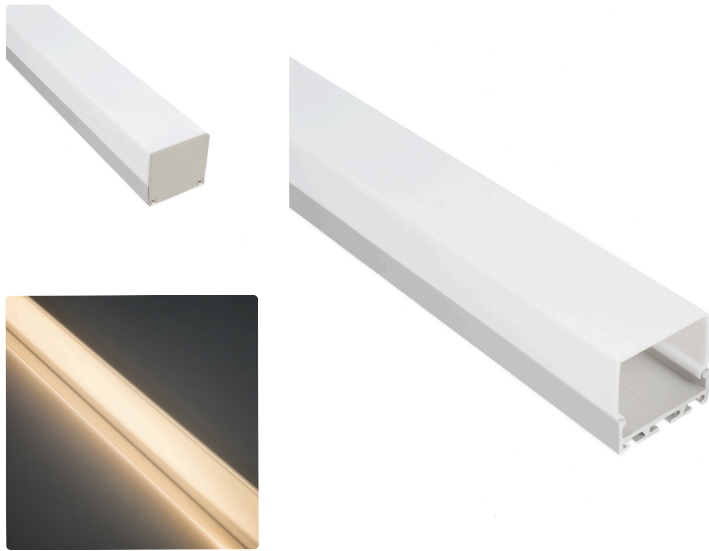


Pendant/Surface Mount Linear Channel



AL-TRK-LNR

Multi-Directional Bar Light for LED Strip Light



DESCRIPTION

This Pendant/Surface Mount Multi-Directional Bar is compatible with all strip lights and is designed for versatile architectural lighting applications. Available in a silver aluminum finish with a frosted lens, it comes in 3.3 ft and 6.5 ft lengths to suit a variety of installations. Emitting light from three sides instead of one, it provides enhanced illumination for wall washing and ambient lighting.

Designed for flexibility, it can be mounted to ceilings, walls, or other surfaces, or suspended as a pendant for use over bars, game rooms, pool tables, garages, kitchen peninsulas, and islands. Its durable aluminum construction helps protect strip lights while supporting heat dissipation for long-term performance.

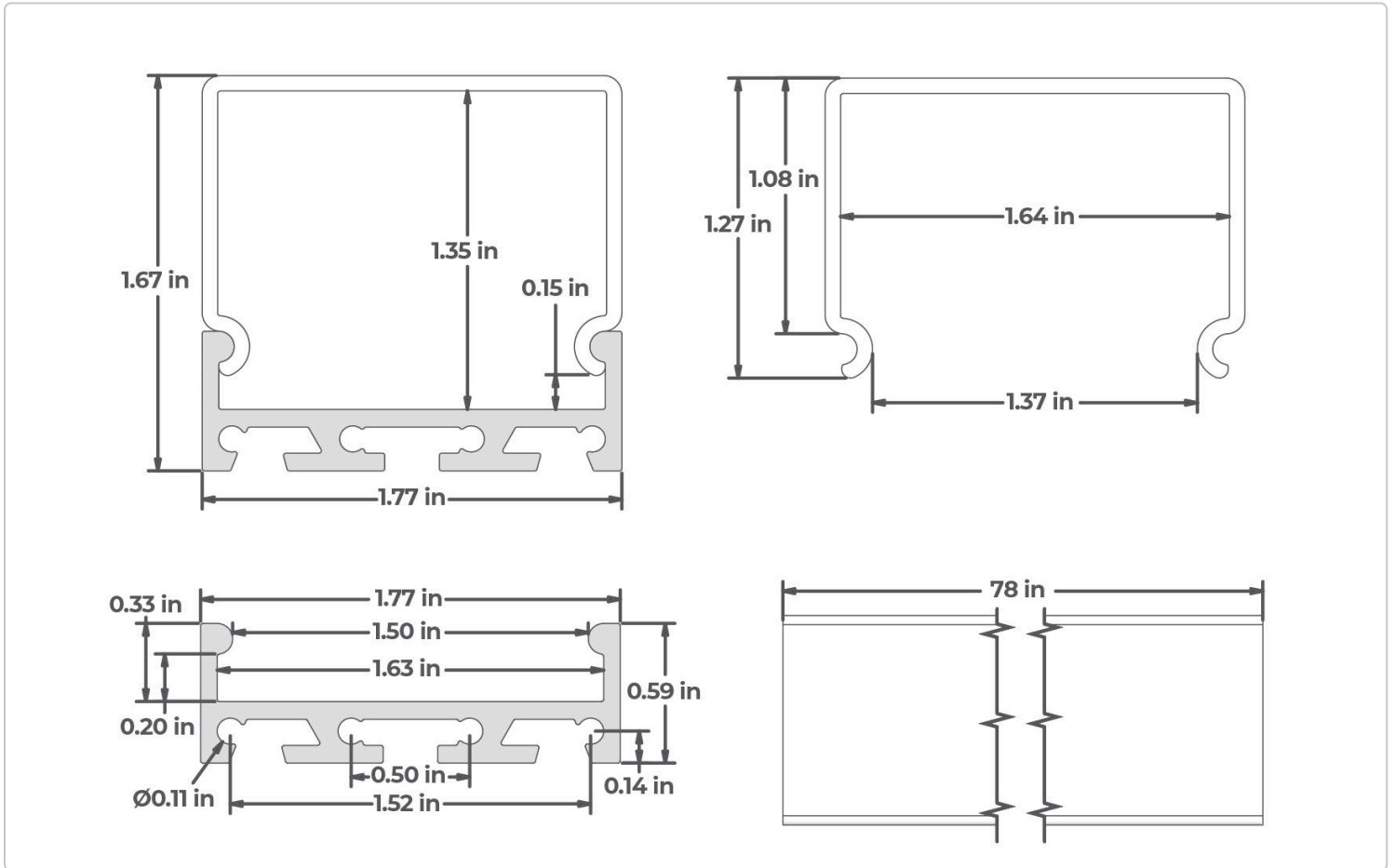


PRODUCT SPECIFICATION CHART

PHYSICAL		ENVIRONMENTAL	
Dimensions	1.8" Wide X 1.62" Tall	IP Rating	IP20
Finish Colors	Silver	Max Operating Temperature	-4 – 122°F (-20 – 50°C)
Channel Material	Anodized Aluminum	Max Storage Temperatures	-22 – 176°F (-30 – 80°C)
Interior Channel Dimensions	1.5" (38mm)	Suitable Uses	Dry, Indoor
Lens Material	Polycarbonate	COMPATIBILITY	
Lens Options	Frosted	Compatible Strip Lights	Holds strip lights 12mm wide and above.
Mounting Method	Mounting Clip, Pendant Hanging Kit	STANDARDS / CERTIFICATIONS	
PHOTOMETRIC		Standards / Certifications	RoHS
Lens Transmittance	Frosted 78%	Warranty	1 Year



TECHNICAL DRAWINGS



SKU BUILDER

AL-TRK-LNR

PENDANT/SURFACE MOUNT LINEAR CHANNEL
FOR LED STRIP LIGHT

CHANNEL LENGTH

1M - 3.3 Feet
2M - 6.5 Feet

Find It Online!

Scan the link to check out our online product pages and discover more about your product.



For general information purposes only. Specifications, dimensions and construction not guaranteed and are subject to change without notice.