

Recessed LED Channel

AL-TRK-R

Recessed Aluminum Channel



DESCRIPTION

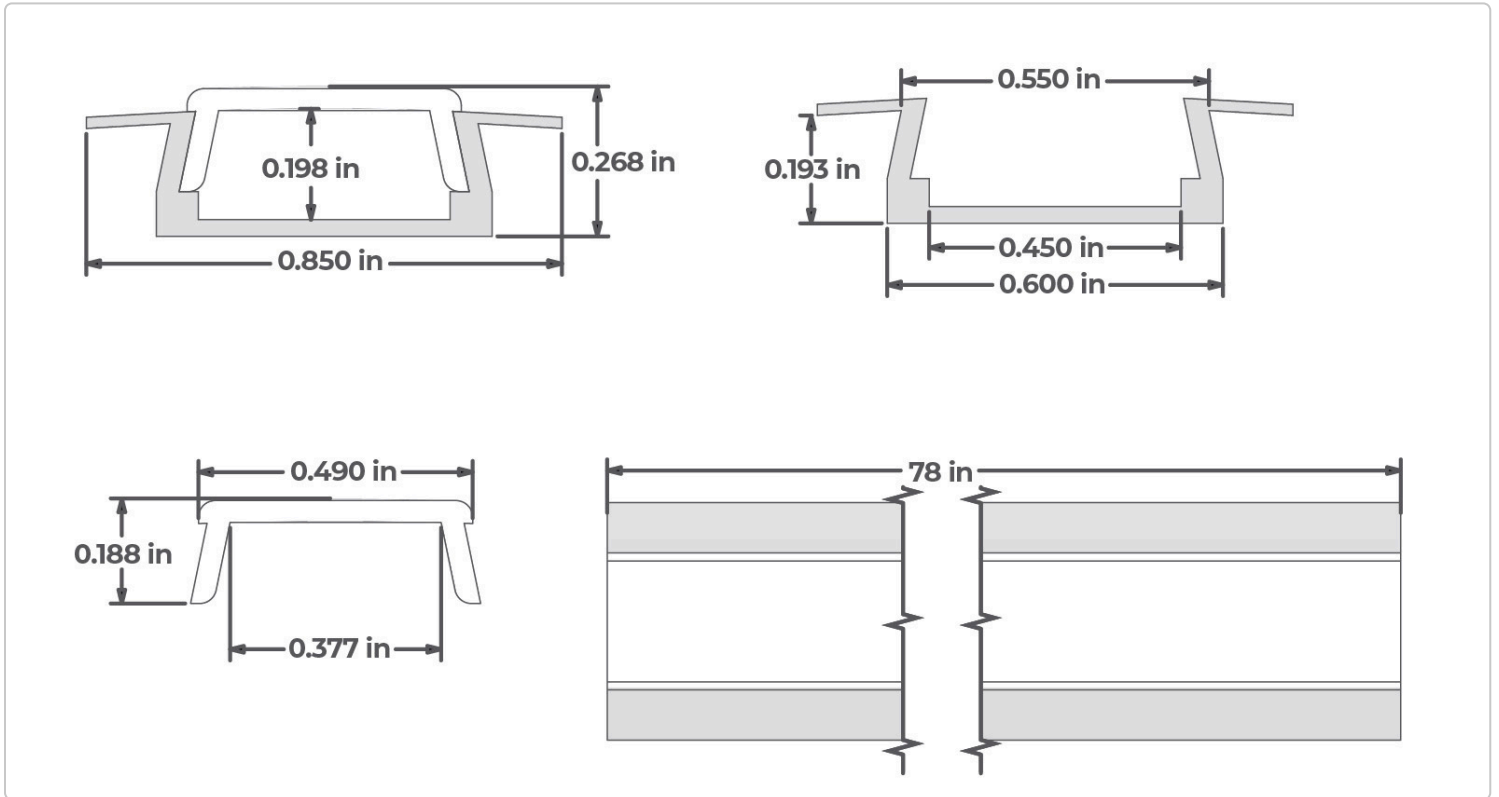
This recessed mounting channel is designed for installation into ceilings, walls, or other structures where a clean, integrated lighting solution is desired. Its low-profile design allows the lighting to sit flush within the surface, creating a seamless, modern look without disrupting the surrounding space. Constructed from durable aluminum, it helps protect strip lights while promoting effective heat dissipation for long-term performance. Ideal for architectural applications, this channel delivers a sleek, built-in appearance that enhances both form and function.



PRODUCT SPECIFICATION CHART			
PHYSICAL		DIFFUSING LENS	
Dimensions	0.6"W (base) 0.86"W (flange) 0.23" Deep	Lens Options	Clear, Frosted
Finish Colors	Silver	Lens Transmittance	Frosted 78%, Clear 92%
Channel Material	Aluminum	Lens Material	Polycarbonate
WHAT'S INCLUDED		WARRANTY	
Recessed Mount LED Aluminum Channel		Warranty	1 Year
Protective Polycarbonate Diffusing Lens		STRIP LIGHT COMPATIBILITY	
CERTIFICATIONS		Compatible with all aspectLED strip lights or other strip light products 11mm wide or less.	
RoHS			



TECHNICAL DRAWINGS



SKU BUILDER

AL-TRK-R — —

RECESSED LED CHANNEL **LENS/CHANNEL COLOR** **CHANNEL LENGTH**

F1 – Frosted Lens, Silver Finish
C1 – Clear Lens, Silver Finish

39 – 3.3 Feet
Blank – 6.5 Feet

Find It Online!

Scan the link to check out our online product pages and discover more about your product.



For general information purposes only. Specifications, dimensions and construction not guaranteed and are subject to change without notice.