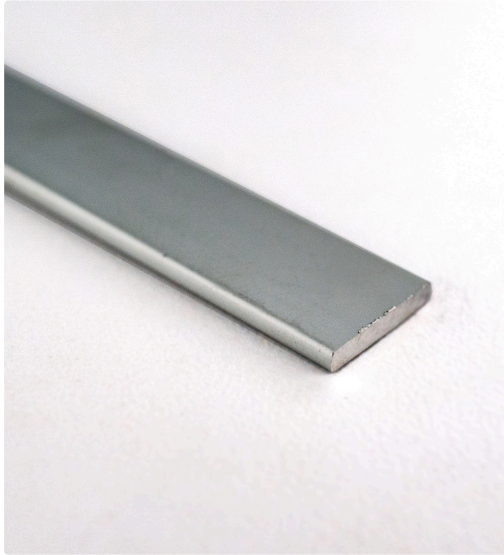


LED Heat Sink

AL-TRK-SINK-12

12mm Custom Fixture Component



DESCRIPTION

LED heat sinks make customizing your lighting projects simple and easy, while also extending the lifespan of your lights. At 12mm wide, this heat sink is perfectly sized to pair with all indoor (IP20) strip lights.

Best used for professional installation of LED strip lights onto surfaces with poor conductive and adhesive properties, they're also a great choice for seamlessly integrating flexible LED strip lighting into your own custom LED fixture designs.

Inserted into core-drilled stone, suspended mid-air, or bent and cut to nearly any shape, these simple aluminum sinks will help breathe new creativity into your lighting projects.

PRODUCT SPECIFICATION CHART

PHYSICAL

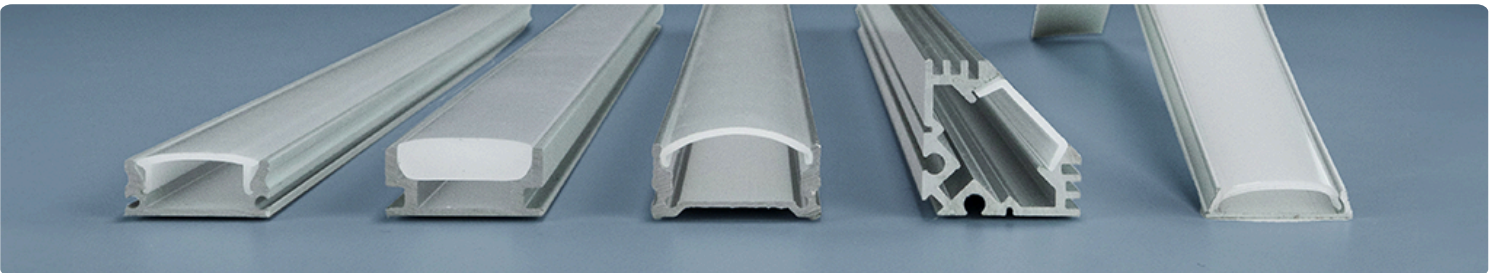
Width & Depth	0.47" or 15/32" (12mm) Wide X 0.08" or 3/32" (2mm) Deep
Finish Colors	Silver
Channel Material	Extruded Aluminum
Weight	.29 lbs/foot

STRIP LIGHT COMPATIBILITY

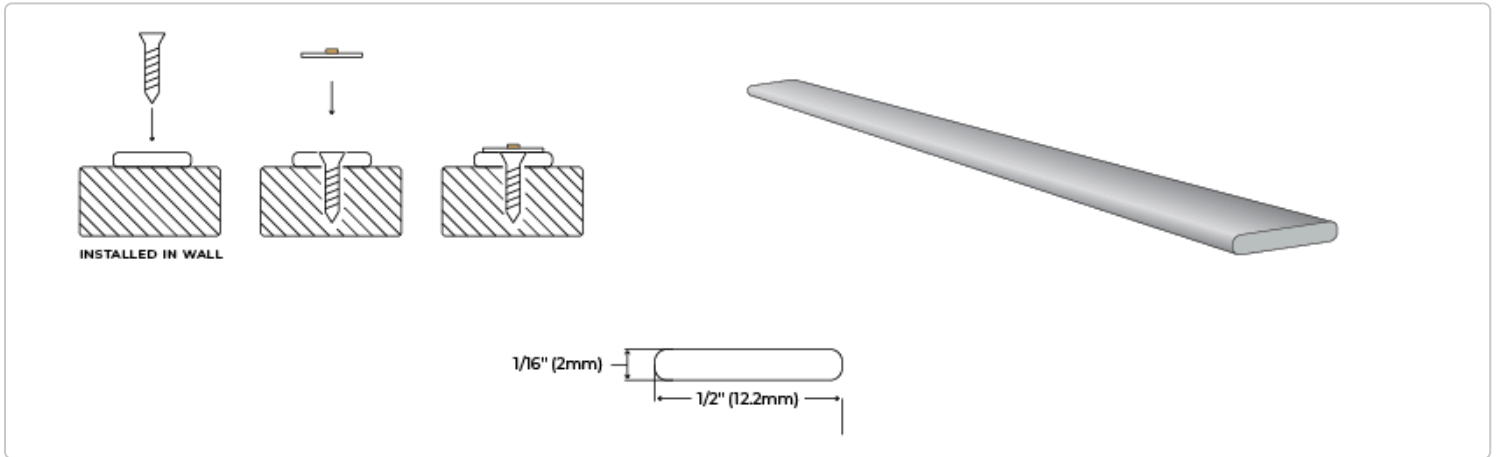
All indoor-rated (IP20) strip lights less than or equal to 12mm (Width \leq 12mm)

WARRANTY

Warranty	1 Year
----------	--------



TECHNICAL DRAWINGS



SKU BUILDER

AL-TRK-SINK-12

LED HEAT SINK

CHANNEL LENGTH

1M - 3.3 Feet
2M - 6.5 Feet

QUANTITY

Blank - Single Piece
5PK - 5 Pack
10PK - 10 Pack

Find It Online!

Scan the link to check out our online product pages and discover more about your product.

