



**DESCRIPTION**

Compact, versatile, and efficient, this all-in-one dimmer and driver eliminates the need for a separate power supply. Adjust the color temperature and brightness effortlessly to suit any task, from warm ambient lighting to bright task lighting.

Compatible with single-pole and 3-way configurations, it dims smoothly down to 3% brightness. Streamline installation, reduce labor costs, and simplify your lighting setup. With precise CCT color tuning, choosing the right color temperature is simple, and compatible drivers are automatically handled.

**KEY FEATURES**



2-in-1 Power Integration



120VAC Input



Flicker Free

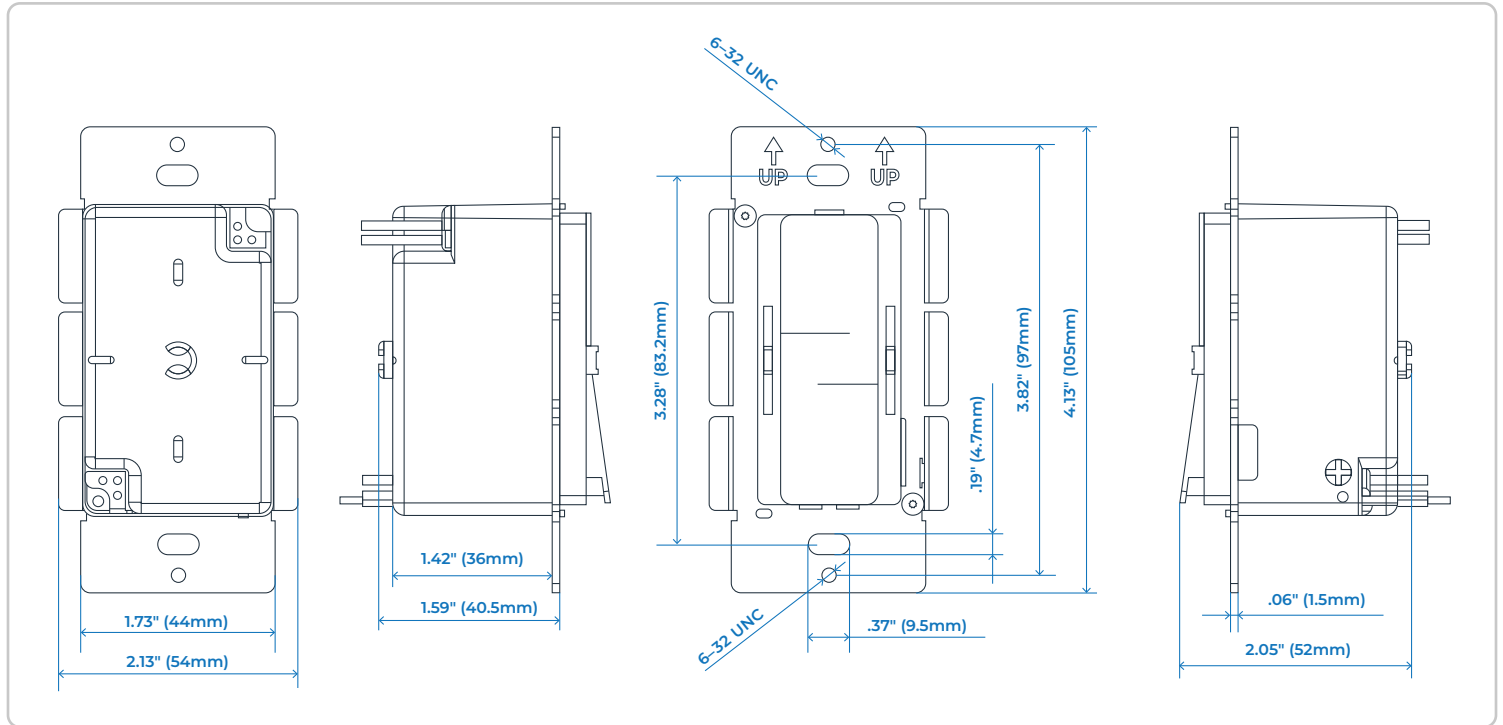


Multi Location Control

**PRODUCT SPECIFICATION CHART**

PHYSICAL		ELECTRICAL	
Height	2.6" Tall (66mm)	Input Voltage	120VAC
Width	1.28" Wide (32.5mm)	Input Frequency	60Hz
Depth	1.42" Deep (36mm)	Max Input Current	0.9A
Weight	9.38oz (0.25 kg)	Output Voltage	24VDC
Warranty	3 Years	Output Signal	16KHz PWM Output
ENVIRONMENTAL		Max Output Power	96W
IP Rating	IP65	Power Source	Integrated Low Voltage Driver
Suitable Uses	Dry & Damp Locations	Neutral Required	Yes
Max Operating Temp	-40°C to 60°C (-40°F to 140°F)	Control Method	Manual Switch Manipulation
Max Storage Temp	-40°C to 80°C (-40°F to 176°F)	Pole Type	Single or 3-Pole
COMPATIBILITY		Dimming Method	PWM Dimming
Compatible Driver	N/A (Built-In Power Supply)	CERTIFICATIONS	
Controller/Decoder	N/A - (Built-In ON/OFF & CCT Control)	RoHS, UL Listed, FCC, Class 2, Class P, SELV, REACH	
Product/Color Class	Color Tuning Luminaires		

## TECHNICAL DRAWING



## SKU BUILDER

**AL-CTLR-DIMDRV-CCT**

INDRIVE 2-IN-1 DIMMER  
SWITCH + DRIVER | COLOR TUNING

## Find It Online!

Scan the link to check out our online product pages and discover more about your product.



For general information purposes only. Specifications, dimensions and construction not guaranteed and are subject to change without notice.