

Casambi In-Wall Wireless Dimmer Switch

AL-CTLR-DIMSW-CAS



DESCRIPTION

This Casambi-enabled Wireless In-Wall Dimmer Switch blends the classic look and feel of a traditional wall switch with the advanced capabilities of Casambi's wireless lighting control system. Designed to fit seamlessly into a standard single-gang wall box, this sleek, low-profile switch offers simple, one-touch control of Casambi-enabled fixtures or decoders.

Easily toggle the lights on/off, dim up or down, or trigger custom scenes and color settings with a simple press of a button. Operating on Casambi's secure Bluetooth mesh network, the switch delivers reliable performance, real-time feedback, and easy configuration through the Casambi app.

KEY FEATURES



Casambi Integrated



120VAC Input



App Control

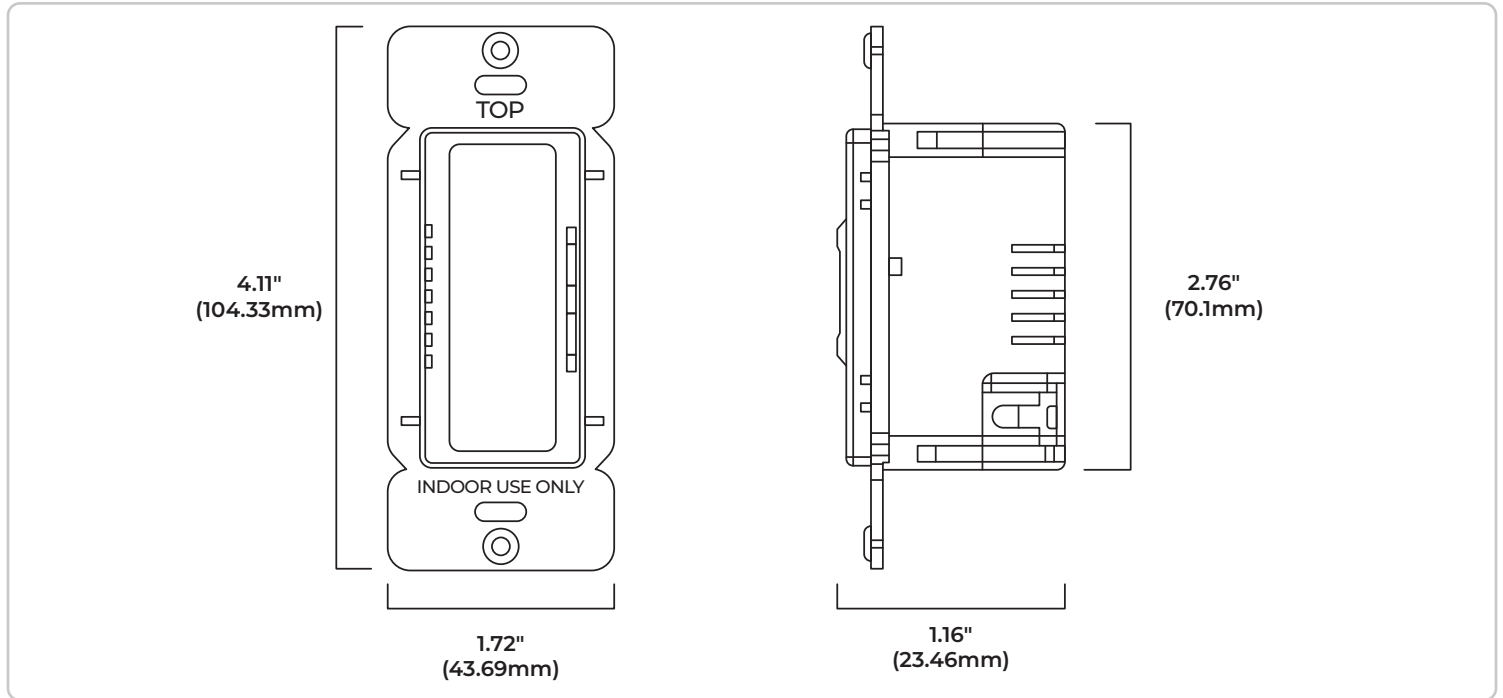


Mesh Network

PRODUCT SPECIFICATION CHART

PHYSICAL		ENVIRONMENTAL	
Height	4.11" Tall (104mm)	IP Rating	IP20
Width	1.72" Wide (44mm)	Suitable Uses	Dry Locations Only (Indoor Only)
Depth	1.16" Deep (23mm)	Max Operating Temp	0°C to 55°C (32°F to 131°F)
Weight	0.25 lb (0.11 kg)	STANDARDS & CERTIFICATIONS	
Warranty	5 Years	UL/cUL Listed	
ELECTRICAL			
Input & Output Voltage	120-277VAC		
Input Frequency	50/60 Hz		
Neutral Required	Yes		

TECHNICAL DRAWINGS



SKU BUILDER

AL-CTLR-DIMSW-CAS

CASAMBI IN-WALL WIRELESS DIMMER SWITCH



Find It Online!

Scan the link to check out our online product pages and discover more about your product.



For general information purposes only. Specifications, dimensions and construction not guaranteed and are subject to change without notice.