

L-SERIES DOTLESS™ LINEAR DYNAMIC VARIABLE WHITE COLOR TUNING STRIP LIGHTS

MODEL: AL-SL-L-U-CCT



Description

Introducing aspectLED's Dotless™ Linear Dynamic Variable White Color Tuning LED Strip Lights. This continuous LED strip is the perfect solution for a wide variety of applications, especially for those installations where you don't want to see the individual diodes. Requiring no diffusing lens makes the L-Series installation even easier. Our L-Series Dotless LED strip lights are made with wire leads on both ends of each 16.4' reel and can be cut every 1.63", allowing you to cut pieces to the exact length that you need.

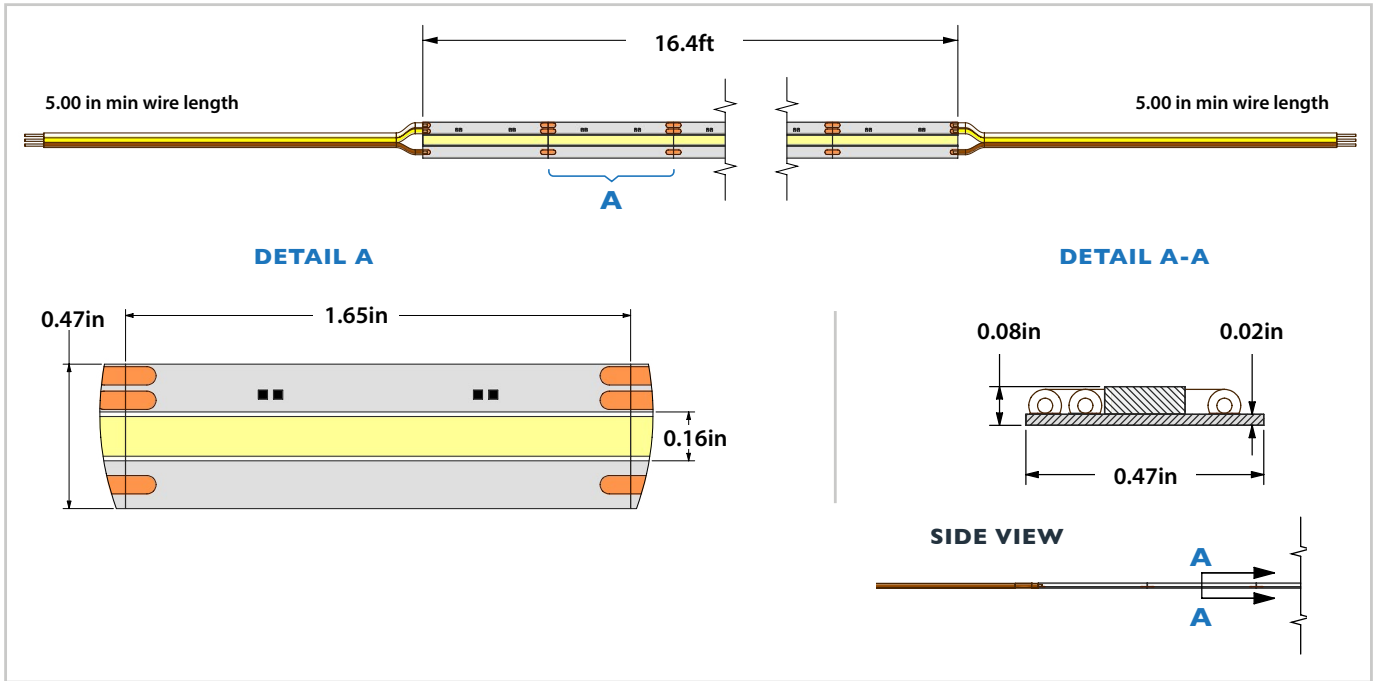
Learn more



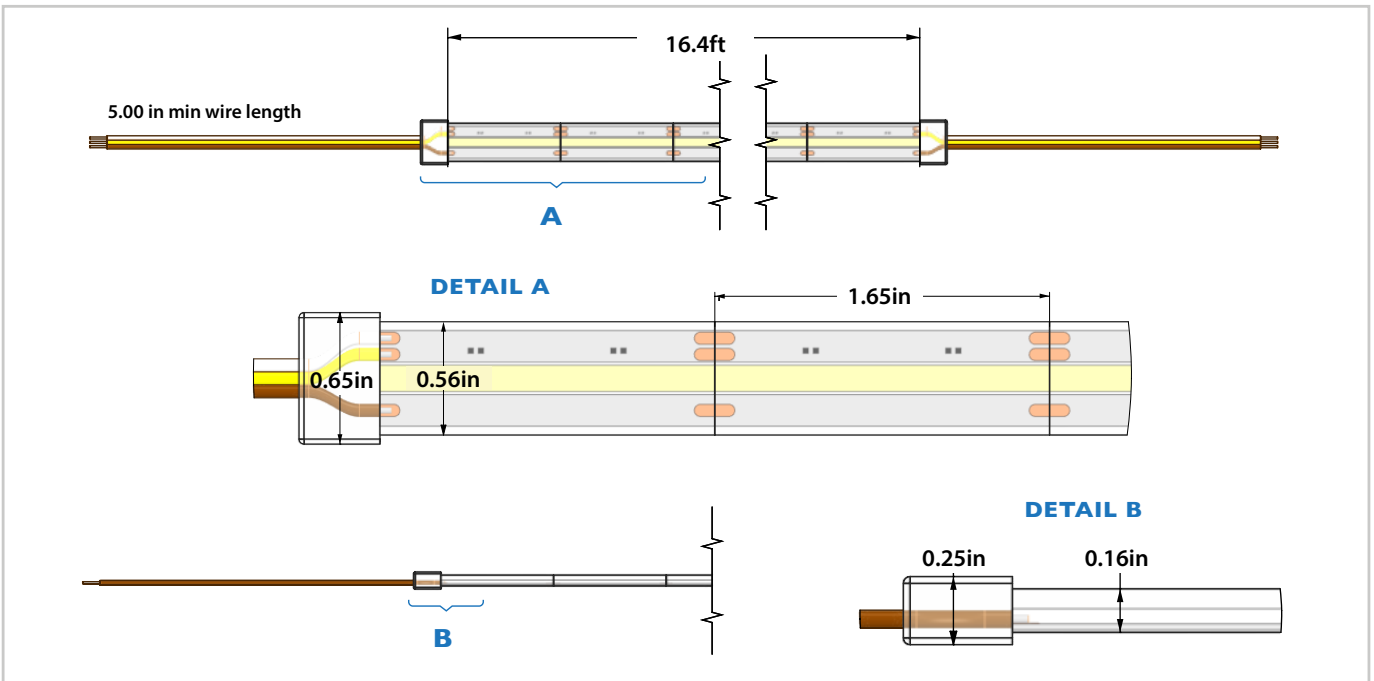
	NON-WATERPROOF	WATER RESISTANT
Dimensions	1/2" (12mm) wide 1/16" (2mm) thick 16.4' (5M) long	9/16" (14mm) wide 3/16" (4mm) thick 16.4' (5M) long
Cut Length	24VDC: 1.63" (41.47mm)	24VDC: 1.63" (41.47mm)
IP Rating	IP20 Indoor Use Dry Location	IP67
PCB Width	12mm	12mm
CRI	>90	>90
Adhesive Backing	Yes / 3M Adhesive	Yes / 3M Adhesive
Mounting Method	Adhesive Backing	Adhesive Backing
Input Voltage	24VDC	24VDC
Beam Angle	120 Degrees	120 Degrees
Dimmable	Yes	Yes
Max Power Consumption	24VDC: 5.8 Watts per foot	24VDC: 5.8 Watts per foot
Max Luminous Flux	24VDC: 548 Lumens per foot	24VDC: 548 Lumens per foot
Max Run	16.4 feet @ 24VDC	16.4 feet @ 24VDC
Weight	0.4 lbs per reel	0.7 lbs per reel
Estimated Lifespan	50,000 hours	50,000 hours
Warranty	1 Year	1 Year
Suitable Uses	Dry Location Only	Dry, Damp Locations
Standards/Certifications	UL Listed, RoHS	UL Listed, RoHS

Strip Light Dimensions

24VDC - NON-WATERPROOF



24VDC - WATER RESISTANT



L-SERIES DOTLESS™ LINEAR COLOR TUNING LED STRIP LIGHTS
MODEL: AL-SL-L-U-CCT

Accessories

60 Watt LED Power Supply

SKU: AL-PS-N-60



100 Watt LED Power Supply

SKU: AL-PS-N-100



200 Watt LED Power Supply

SKU: AL-PS-N-200



Wireless (RF) LED Dimmer

SKU: AL-CTLR-RFDIM



Wireless Multi-Zone LED Wall Dimmer Controller

SKU: AL-CTLR-DIM-4ZRF-WMT



DMX512 Decoder and LED Driver

SKU: AL-CTLR-DMXDEC



SKU Builder

MODEL #:

AL-SL

WATERPROOFING:

LN - Non-Waterproof
LR - Water Resistant

BRIGHTNESS:

U

U - Ultra Bright

LED LIGHT COLOR:

CCT

CCT - White Color Tuning

VOLTAGE:

24

24 - 24VDC