

Low Profile LED Hardscape Light - 7"

AL-SL-AD-SPI-IP20-24-RGB

Landscape LED Lighting



DESCRIPTION

Our 7" Low Profile LED Hardscape Light, is crafted from durable cast aluminum and features a stainless steel mounting bracket for enhanced longevity.

Our hardscape landscape lights are ideal for illuminating hardscape steps, retaining walls, decks, planters, or any other landscape elements, providing a seamless and modern down-lighting solution.

KEY FEATURES



Up to 150 Lumens



1.5 Watts



12 VDC or Low Voltage AC

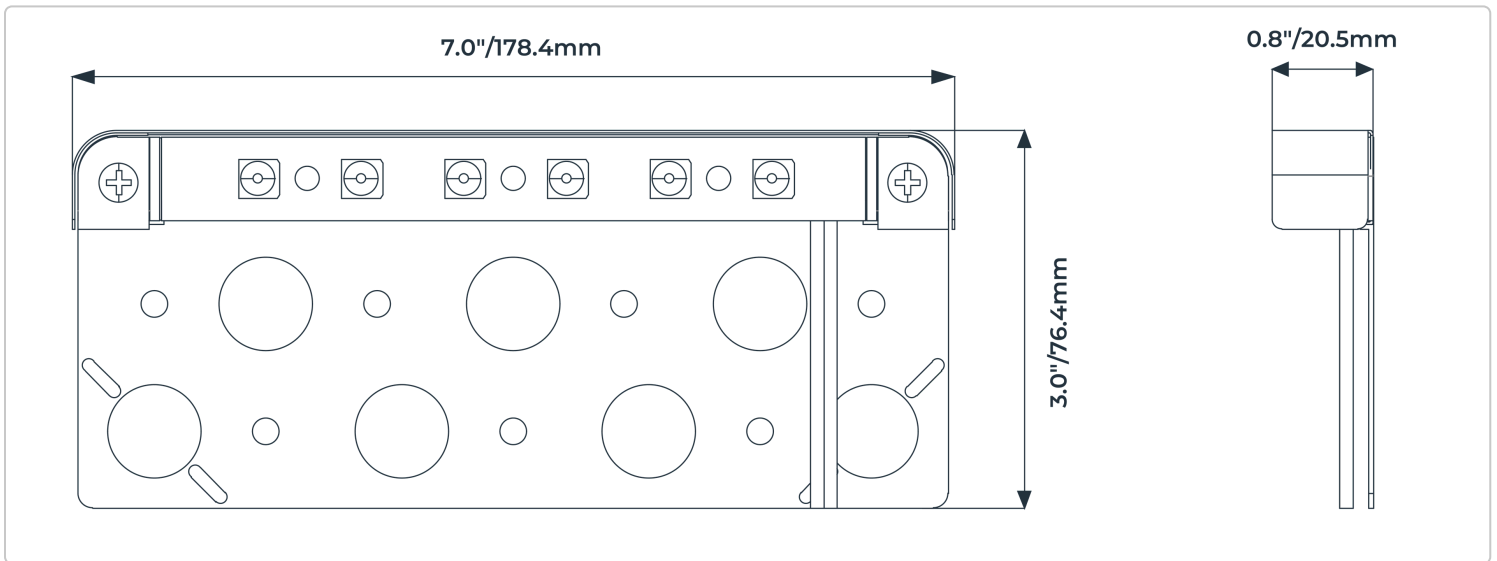


IP65

PRODUCT SPECIFICATION CHART

PHYSICAL		ELECTRICAL	
Beam Angle	120 Degrees	Input Voltage	12 VDC or Low Voltage AC
Estimated Lifespan	25,000 hours	LED Type	SMD 2835 LED Chip
Finish Options	Black	LED Quantity	6
Fixture Material	Aluminum	Max Power Consumption	1.5 Watts
Weight	0.65 lbs	ENVIRONMENTAL	
PHOTOMETRIC		IP Rating	IP65
CRI	85	Suitable Uses	Dry and Damp Locations
LED Color Options	LED Color Options	Max Operating Temp	-40°F to 104°F (-40°C to 40°C)
STANDARDS & CERTIFICATIONS		CONTROL	
Standards/Certifications	ETL	Dimmable	No
Warranty	5 Years	Compatible Power Supplies	Non-Dimmable Power Supplies Never use with MLV power supplies!

TECHNICAL DRAWINGS



SKU BUILDER

AL-LL-HDSCP-SM-SW

LOW PROFILE LED HARDSCAPE LIGHT - 7"



Find It Online!

Scan the link to check out our online product pages and discover more about your product.



For general information purposes only. Specifications, dimensions and construction not guaranteed and are subject to change without notice.