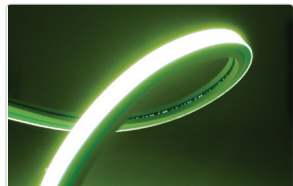


Element Neon TopFlex Light

COLOR CHANGING RGB

AL-NF-1616-24-RGB



DESCRIPTION

The Element Neon Wide TopFlex Light features RGB color-changing capabilities and flexible top-bending design, allowing it to curve smoothly across horizontal surfaces. Its dotless, seamless glow delivers a continuous line of vibrant neon light - no additional diffusing required. With an IP67 rating and cuttable design, it's ideal for custom indoor or outdoor installations where bold, flawless lighting is a must.

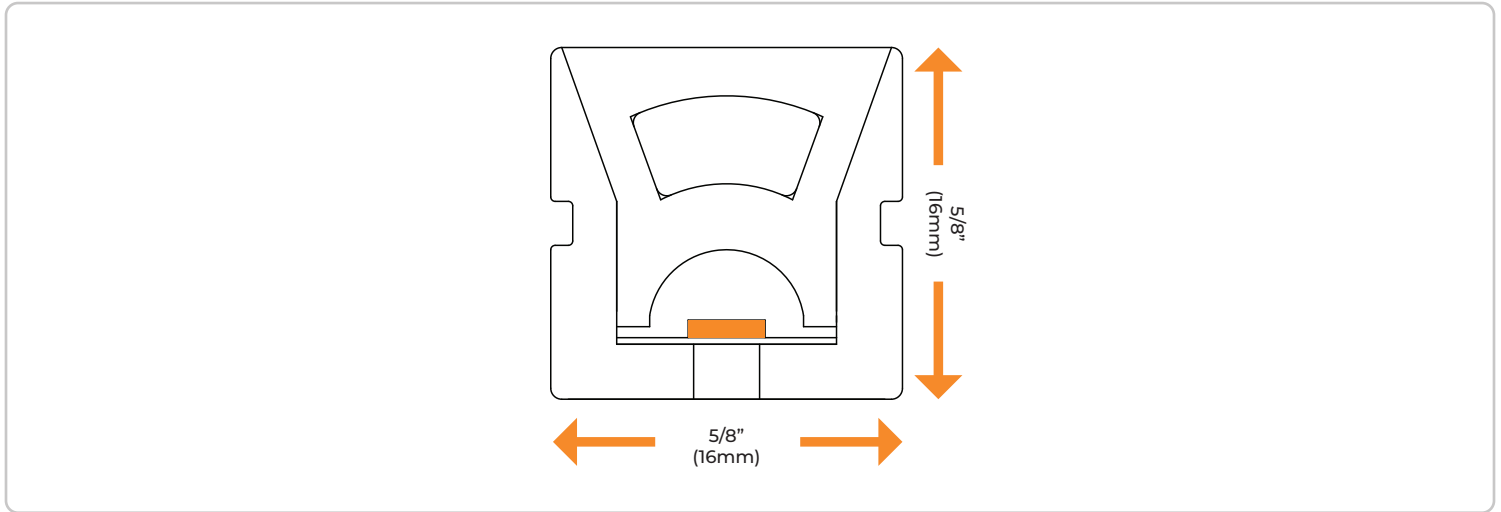
KEY FEATURES

- Max Run Length 32ft
- Water Resistant IP67
- Bendable Top Bend
- Millions of Colors

PRODUCT SPECIFICATION CHART

PHYSICAL		PHOTOMETRIC	
Reel Length	32.8' (10m)	Max Luminous Flux	Up to 116 Lm/ft
Width	5/8" (16mm)	Efficacy (Lumens per Watt)	39.6
Thickness	5/8" (16mm)	Beam Angle	120°
Cut Length	2.46" (62.5mm)	Color Consistency	1 bin (3 step MacAdam)
Weight	6.2lbs (2.81kg)	LED Color Options	RGB
Mounting Method	Mounting brackets and channel	RGB Wavelength Ranges	R: 619-633nm G: 504-531nm B: 454-471nm
Estimated Lifespan	50,000 Hours		
Bend Type	Top	ENVIRONMENTAL	
Bend Radius	3.14" (80mm)	IP Rating	IP67
Warranty	3 Years	Suitable Uses	Dry and damp locations
ELECTRICAL		Max Operating Temp	-25°C to 60°C (-13°F to 140°F)
Input Voltage	24VDC	Max Storage Temp	-30°C to 80°C (-22°F to 176°F)
LED Type	SMD 5050 LED Chip	CONTROL	
LED Quantity	29 per foot (96 per meter)	Dimmable	Yes
Max Power Consumption	2.93W/ft (9.6W/m)	STANDARDS & CERTIFICATIONS	
Max Run Length	32.8' (10M)	UL/cUL Listed RoHS CE	

TECHNICAL DRAWINGS



SKU BUILDER

AL-NF-1616-24

ELEMENT NEON SIDEFLEX LIGHT

RGB

COLOR CHANGING



For general information purposes only. Specifications, dimensions and construction not guaranteed and are subject to change without notice.