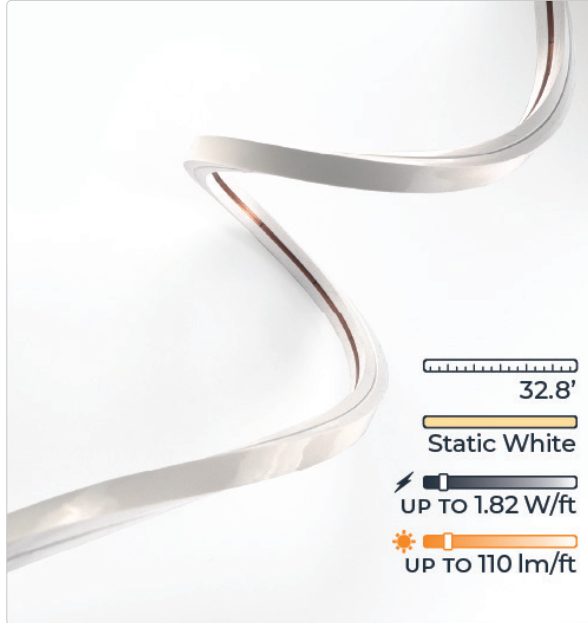
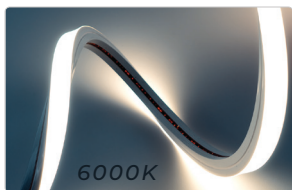
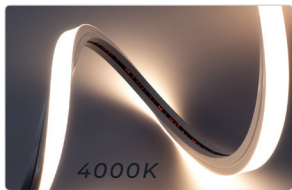
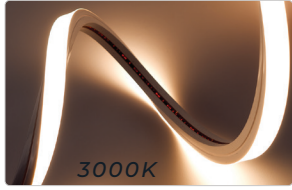


Element Neon TopFlex Light

STATIC WHITE



AL-NF-1616-24



DESCRIPTION

The Element Neon Wide Static White TopFlex Light features flexible top-bending for smooth curves and clean lines across flat surfaces. With a maximum run length of up to 98 feet on a single power supply, it offers quick, cost-effective installation. The dotless design delivers a continuous, seamless neon glow, while the cuttability ensures a perfect fit for custom projects. Boasting a 90+ CRI and IP67 rating, it's built to perform in both indoor and outdoor environments.

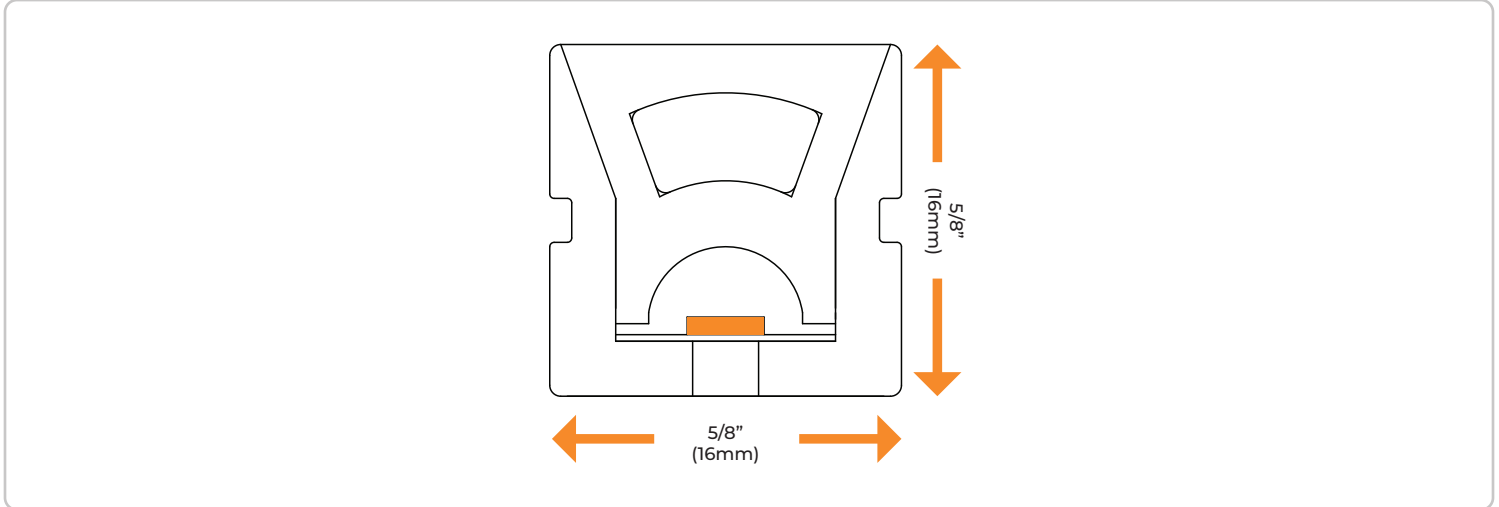
KEY FEATURES



PRODUCT SPECIFICATION CHART

PHYSICAL		PHOTOMETRIC	
Reel Length	32.8' (10m)	Max Luminous Flux	Up to 110 Lm/ft
Width	5/8" (16mm)	Efficacy (Lumens per Watt)	60.4
Thickness	5/8" (16mm)	Beam Angle	120°
Cut Length	1.97" (50mm)	Color Consistency	1 bin (3 step MacAdam)
Weight	6.2lbs (2.81kg)	LED Color Options	White: 3000K, 4000K, or 6000K
Mounting Method	Mounting brackets and channel	CRI	90+
Estimated Lifespan	50,000 Hours	ENVIRONMENTAL	
Bend Type	Top	IP Rating	IP67
Bend Radius	3.14" (80mm)	Suitable Uses	Dry and damp locations
Warranty	3 Years	Max Operating Temp	-25°C to 60°C (-13°F to 140°F)
ELECTRICAL		Max Storage Temp	-30°C to 80°C (-22°F to 176°F)
Input Voltage	24VDC	CONTROL	
LED Type	SMD 2835 LED Chip	Dimmable	Yes
LED Quantity	36 per foot (120 per meter)	STANDARDS & CERTIFICATIONS	
Max Power Consumption	1.82W/ft (6W/m)	UL/cUL Listed RoHS CE	
Max Run Length	32.8' (10m)		

TECHNICAL DRAWINGS



SKU BUILDER

AL-NF-1616-24

ELEMENT NEON TOPFLEX LIGHT

COLOR OPTIONS

3K (3000K)
4k (4000K)
6K (6000K)



Scan to discover more
about your product!

For general information purposes only. Specifications, dimensions and construction not guaranteed and are subject to change without notice.