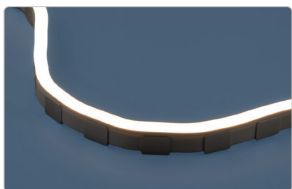
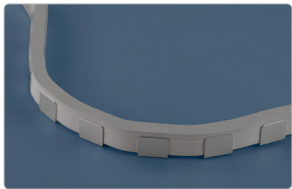
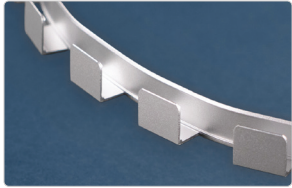


# Bendable Mounting Channel for Element Neon SideFlex Lights

## AL-TRK-NF-1018-BD-SIL-1M



### DESCRIPTION

Easily shape your Neon Element SideFlex Lights into smooth curves, contours, and custom designs with our side-bending mounting channel. Designed to securely hold your neon light in place, this channel ensures consistent illumination while simplifying installation. No tools are required to bend or form it - just flex it into your desired shape. Fully customizable and perfect for creative, precise neon lighting projects. Pair with mounting brackets for a clean, professional-grade installation.

### COLOR VARIETIES



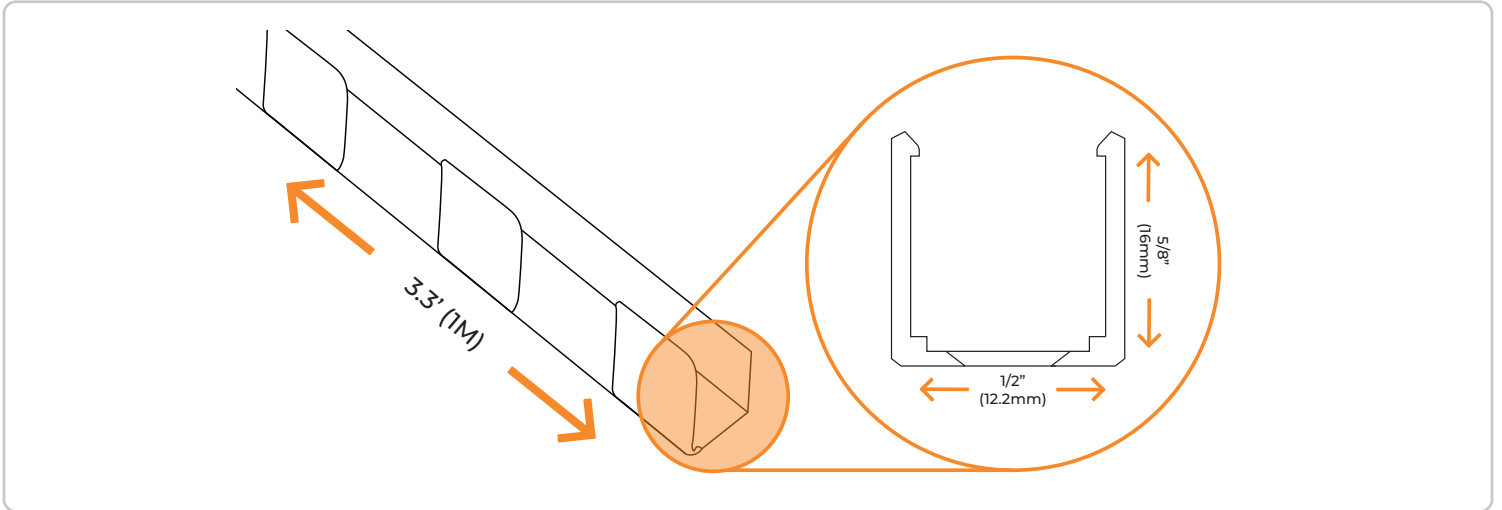
Silver

### PRODUCT SPECIFICATION CHART

PHYSICAL		WARRANTY	
Length	3.3' (1M)	Warranty	1 Year
Width	1/2" (12.2mm)	STRIP LIGHT COMPATIBILITY	
Height	5/8" (16mm)	•AL-NF-1018-24	•AL-NF-1018-24-RGB
Weight	.4 lbs		
Channel Material	Aluminum		

AL-TRK-NF-1018-BD-SIL-1M

## TECHNICAL DRAWINGS



### SKU BUILDER

**AL-TRK-NF-1018-BD**

MOUNTING CHANNEL  
FOR NEON SIDEFLEX, BENDABLE

**SIL**

CHANNEL COLOR

*Silver Finish*

**1M**

CHANNEL LENGTH

*1M – 3.3ft*



Scan to discover more about your product!

For general information purposes only. Specifications, dimensions and construction not guaranteed and are subject to change without notice.