

# Surface Mounted Aluminum Channel for Element Neon SideFlex Lights

## AL-TRK-NF-1018-SIL-2M



### DESCRIPTION

Crafted from durable aluminum, the surface-mounted channel provides sturdy support for Element Neon SideFlex Lights in both indoor and outdoor settings. The low-profile design offers a sleek, finished look that stays discreet and visually clean. Cuttable to custom lengths, it's perfect for installations requiring straight lines, precise alignment, and a polished appearance. Pair with mounting brackets for a clean, professional-grade installation.

### COLOR VARIETIES

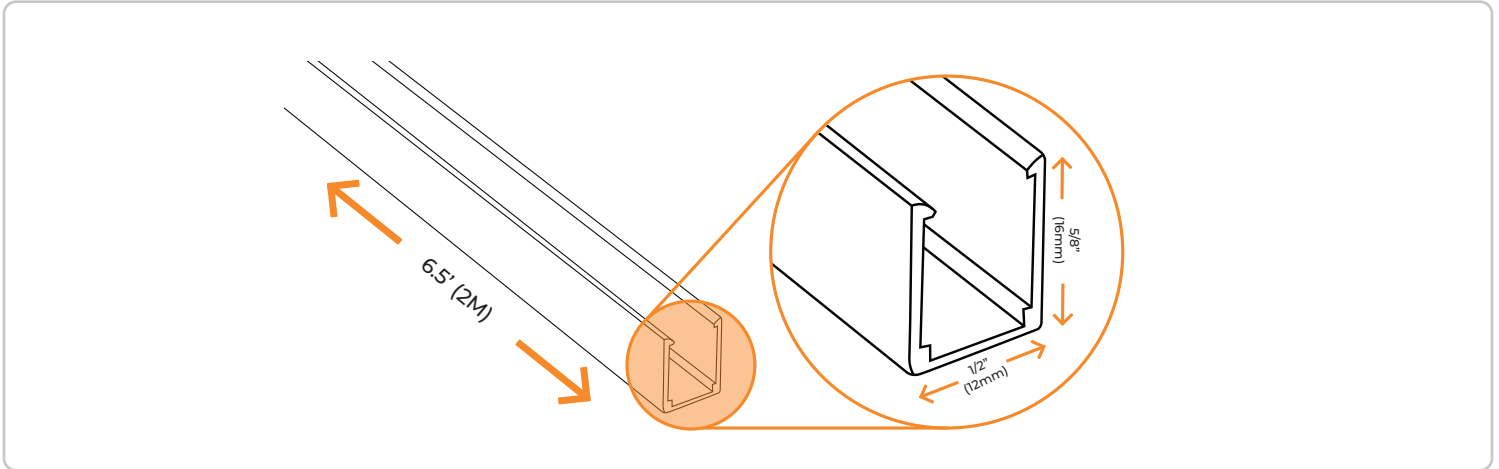


Silver

### PRODUCT SPECIFICATION CHART

PHYSICAL		WARRANTY	
Length	6.5' (2M)	Warranty	1 Year
Width	1/2" (12.2mm)	STRIP LIGHT COMPATIBILITY	
Height	5/8" (16mm)	•AL-NF-1018-24	•AL-NF-1018-24-RGB
Weight	.5 lbs		
Channel Material	Aluminum		

## TECHNICAL DRAWINGS



### SKU BUILDER

**AL-TRK-NF-1018**

MOUNTING CHANNEL  
FOR NEON SIDEFLEX

**SIL**

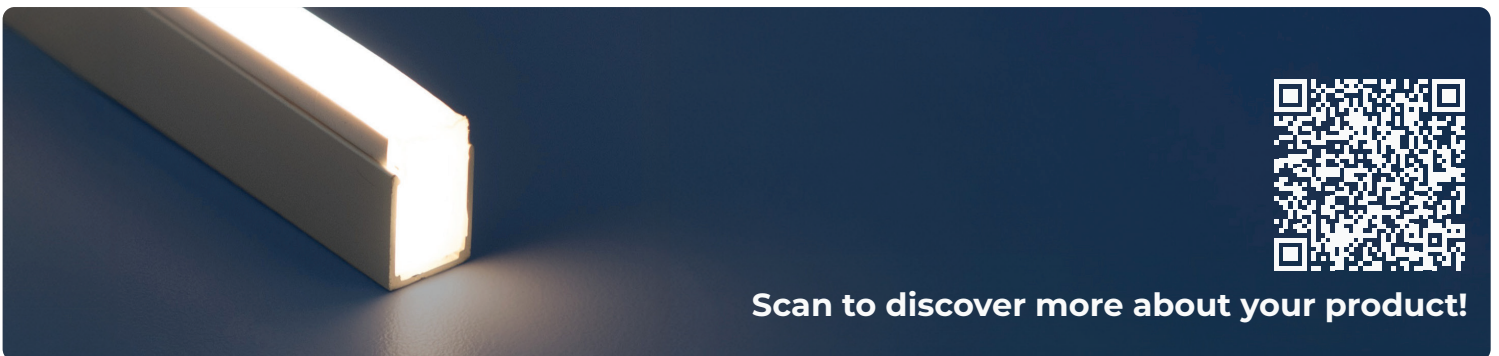
CHANNEL COLOR

*Silver Finish*

**2M**

CHANNEL LENGTH

2M – 6.5ft



Scan to discover more about your product!

For general information purposes only. Specifications, dimensions and construction not guaranteed and are subject to change without notice.