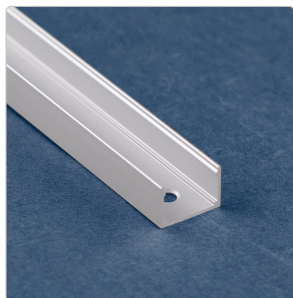


Surface Mounted Aluminum Channel for Element Neon TopFlex Lights

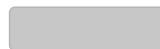
AL-TRK-NF-1616-SIL-2M



DESCRIPTION

Crafted from durable aluminum, the surface-mounted channel provides sturdy support for Element Neon TopFlex Lights in both indoor and outdoor settings. The low-profile design offers a sleek, finished look that stays discreet and visually clean. Cuttable to custom lengths, it's perfect for installations requiring straight lines, precise alignment, and a polished appearance. Pair with mounting brackets for a clean, professional-grade installation.

COLOR VARIETIES



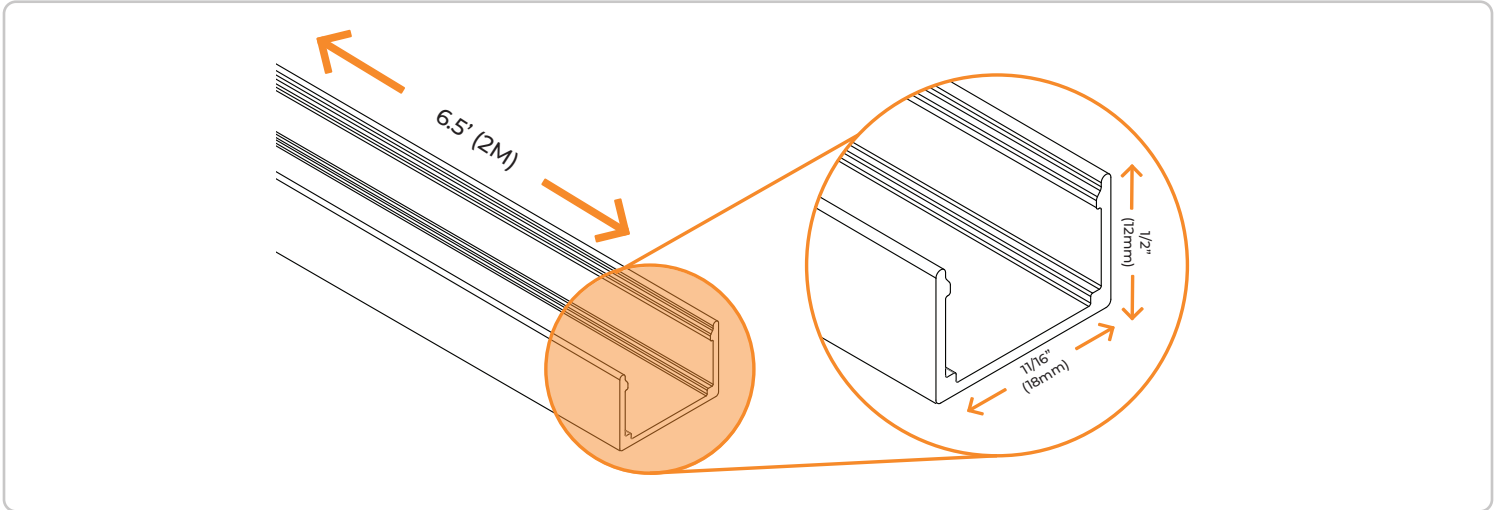
Silver

PRODUCT SPECIFICATION CHART

| PHYSICAL | | WARRANTY | |
|------------------|----------------|---------------------------|--------------------|
| Length | 6.5' (2M) | Warranty | 1 Year |
| Width | 1 1/16" (18mm) | STRIP LIGHT COMPATIBILITY | |
| Height | 1/2" (12mm) | •AL-NF-1616-24 | •AL-NF-1616-24-RGB |
| Weight | .5 lbs | | |
| Channel Material | Aluminum | | |

AL-TRK-NF-1616-SIL-2M

TECHNICAL DRAWINGS



SKU BUILDER

AL-TRK-NF-1616

MOUNTING CHANNEL
FOR NEON SIDEFLEX

SIL

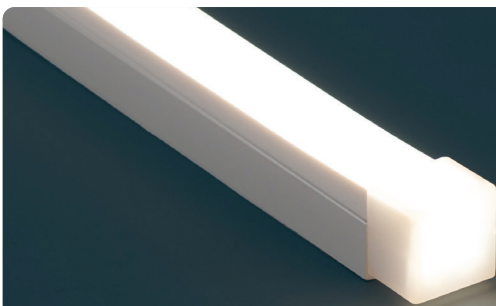
CHANNEL COLOR

Silver Finish

2M

CHANNEL LENGTH

2M - 6.5ft



Scan to discover more about your product!

For general information purposes only. Specifications, dimensions and construction not guaranteed and are subject to change without notice.