

COMPONENTS



1 **Endless™ RGBW Color Changing LED Strip Lights - Waterproof**

Up to 3 Reels | 3000K | IP68 | 32.8ft Reels

2 **Casambi Xpress Long Range Wireless Wall Controller**

Optional | Available in Black or White

3 **End Cap + Mounting Bracket Accessory Packs**

1 Packet Per Strip Light

4 **Short Plug-and-Play Extension Cords**

1 Cord per Strip

5 **Long Plug-and-Play Extension Cord**

1 Cord: 65ft | 2 Cords: 98ft

6 **300 Watt LED Power Supply**

7 **Permatex Clear RTV Silicone Adhesive**

8 **Casambi Wireless DMX Controller**

9 **4-Channel (RGBW) DMX512 Decoder and LED Driver**

For general information purposes only. Specifications, dimensions and construction not guaranteed and are subject to change without notice.

COMPONENT SPECIFICATION

Endless™ RGBW Color Changing Strip Light

AL-SL-CC-RGBW

IP68 Waterproof



Scan to See
Product Page



KEY FEATURES



Integrated Chip
Technology



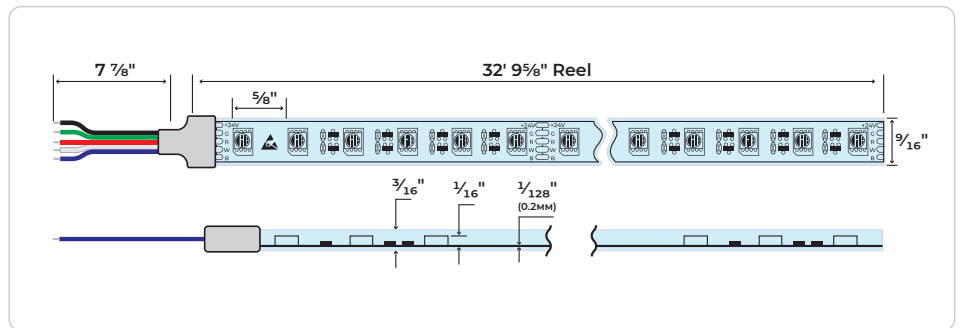
Constant
Current



Extended Max
Run Length



Waterproof
IP68



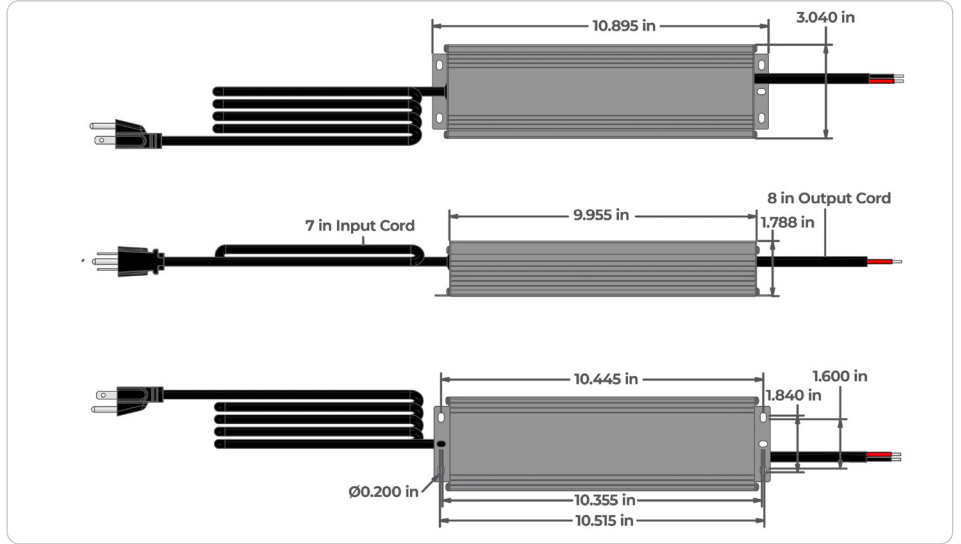
PRODUCT SPECIFICATION CHART | 32.8' Reel

PHYSICAL		PHOTOMETRIC	
Length	32.8" (10m)	Max Luminous Flux	Up to 160 Lm/ft
Width	9/16" (14mm)	Efficacy (Lumens per Watt)	70
Thickness	3/16" (5mm)	Beam Angle	120°
Diode Disbursement	1/2" (12mm)	RGB Wavelength Ranges	R: 620-625nm, G: 520-525nm, B: 465-470nm
Adhesive Backing	3M Adhesive Tape (300 LSE)	CRI	80+ (White Chip Only)
Weight	2.6 lbs (1.1 kg)	LED Color Options	3400K 5800K 10,000K
Estimated Lifespan	50,000 Hours	ENVIRONMENTAL	
Cut Length	4" (100mm)	IP Rating	IP68
Warranty	5 Years	Suitable Uses	Dry, Damp, & Wet Locations
ELECTRICAL		Max Operating Temp	-13°F to 140°F (-25°C to 60°C)
Input Voltage	24VDC	Max Storage Temp	-40°F to 176°F (-40°C to 80°C)
LED Type	SMD 5050 LED Chip	CONTROL	
LED Quantity	18 per foot (60 per meter)	Dimmable	Yes
Max Power Consumption	2.9 W/ft (9.5 W/m)	STANDARDS & CERTIFICATIONS	
Max Run Length	32.8' (10m)	UL/cUL Listed RoHS CE	

COMPONENT SPECIFICATION

300 Watt LED Power Supply
AL-PS-W-300-24

24VDC



PRODUCT SPECIFICATION CHART | 32.8' Reel

PHYSICAL		ELECTRICAL	
Length	10"	Input Voltage	100-277 VAC
Width	3"	Output Voltage	24VDC
Thickness	1 3/4"	Output Current	12.5A @ 24VDC
Housing Material	Aluminum	Dimmable	No
Mounting Method	Mounting Tabs	Power Consumption	300 Watts Maximum
Weight	3.6 lbs	Max Continuous Wattage	240 Watts
Warranty	i Year	STANDARDS & CERTIFICATIONS	
ENVIRONMENTAL		RoHS	
IP Rating	IP65		
Suitable Uses	Dry, Damp Locations		

COMPONENT SPECIFICATION

DMX512 Decoder and LED Driver AL-CTRL-DMXDEC4

4 Channel (RGBW)



Scan to See
Product Page



KEY FEATURES



DMX



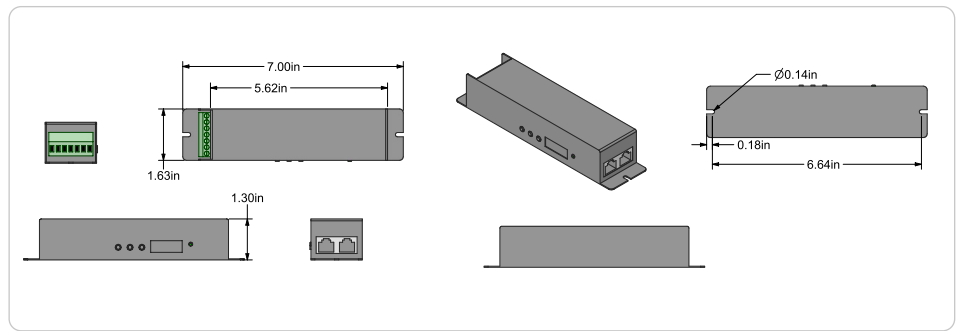
512 Channels



RGBW



Preset Functions



PRODUCT SPECIFICATION CHART

PHYSICAL		ELECTRICAL	
Length	7"	Input Voltage	12VDC or 24VDC
Width	1 1/8"	Input DMX Signal	DMX512/1990 digital
Thickness	1 1/4"	DMX Connector	RJ45
Weight	.9 lbs	DMX output connector	RJ45
Warranty	1 Year	Output Signal	4 Channels @ Up To 4A/Channel
ELECTRICAL		Output Power	192-384 Watts
Input & Output Voltage	24VDC		
Input DMX Signal	DMX512/1990 digital		
Wire Connections	14-22 AWG Solid or Stranded		
DO NOT USE WITH MLV POWER SUPPLIES			

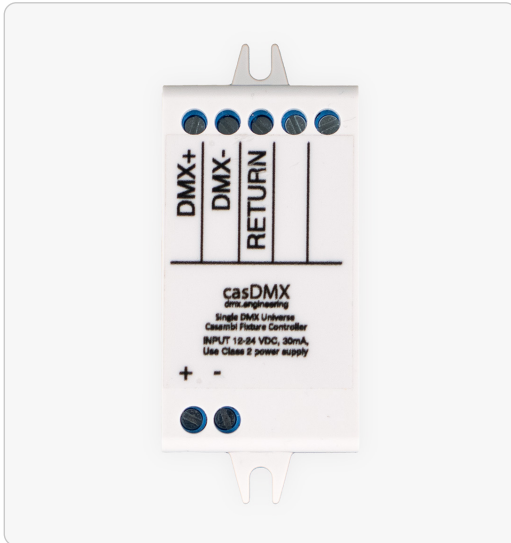
COMPONENT SPECIFICATION

Casambi Wireless DMX Controller
AL-CTRL-CAS-DMX

1 Universe



Scan to See
Product Page



KEY FEATURES



DMX



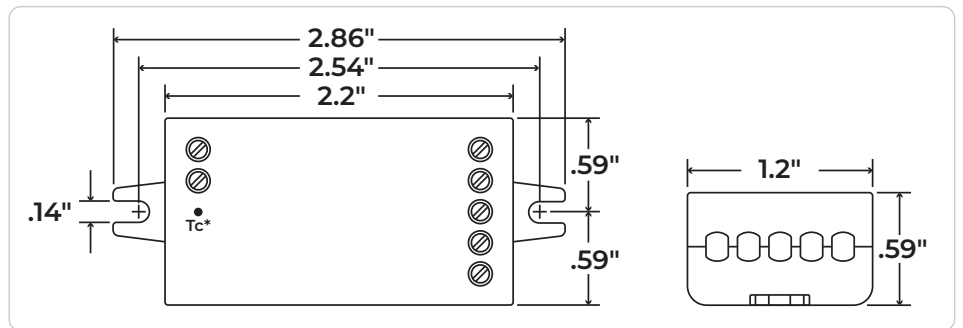
Space Saving



Wireless



Mesh Network



PRODUCT SPECIFICATION CHART

PHYSICAL		CONTROL	
Height	2.20" Tall (56mm)	Dimmable	Yes (via Casambi app)
Width	1.20" Wide (30mm)	Dimming Compatibility	Pulse Width Modulation (PWM)
Depth	0.70" Deep (18mm)	DMX Compatibility	DMX-512 (single universe)
Weight	0.81 oz (23g)	DMX Channels	12
Warranty	1 Year	ENVIRONMENTAL	
ELECTRICAL		IP Rating	IP20
Input & Output Voltage	12-24VDC	Suitable Uses	Dry Locations Only (Indoor Only)
Max Input & Output Current	30mA	Max Operating Temp	-25°C to 45°C (-13°F to 113°F)
Wire Connections	14-22 AWG Solid or Stranded	STANDARDS & CERTIFICATIONS	
DO NOT USE WITH MLV POWER SUPPLIES		ETL Listed CSA CE	

OPTIONAL COMPONENT SPECIFICATION

Casambi XPress
AL-CTLR-XPRESS

Long Range Wireless Wall Controller



Scan to See
Product Page



KEY FEATURES



Bluetooth



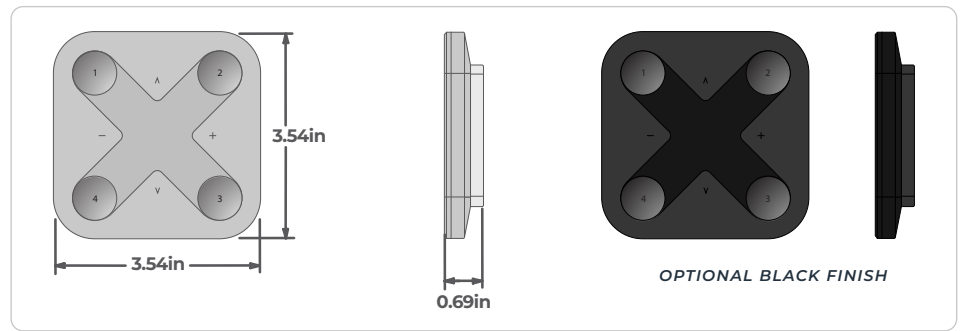
RGBW



Wireless



Smart Home



PRODUCT SPECIFICATION CHART

PHYSICAL		CONTROL	
Height	3.54" Tall	Must be paired with PWM4 Controller	
Width	3.54" Wide	Smart Device Required for Pairing	
Depth	.69" Deep	STANDARDS & CERTIFICATIONS	
Weight	3.2 oz (90g)	ETL Listed CSA CE	
Mounting Method	Wall Mounted Bracket		
Finish Options	White or Black		
ELECTRICAL			
Battery	CR2430 Battery 2-5 Year life		