

20W DIMMABLE LED POWER SUPPLY

MODEL: AL-PS-W-D-20



Description

aspectLED offers a full line of dimmable LED power supplies (drivers). A high quality dimmable power supply/transformer results in your LED lights using less energy, shining brighter, and lasting longer. That's why aspectLED offers the highest quality dimmable LED power supplies. Our power supplies can be used with most standard incandescent dimmer switches. All of our power supplies are energy efficient and eco friendly.

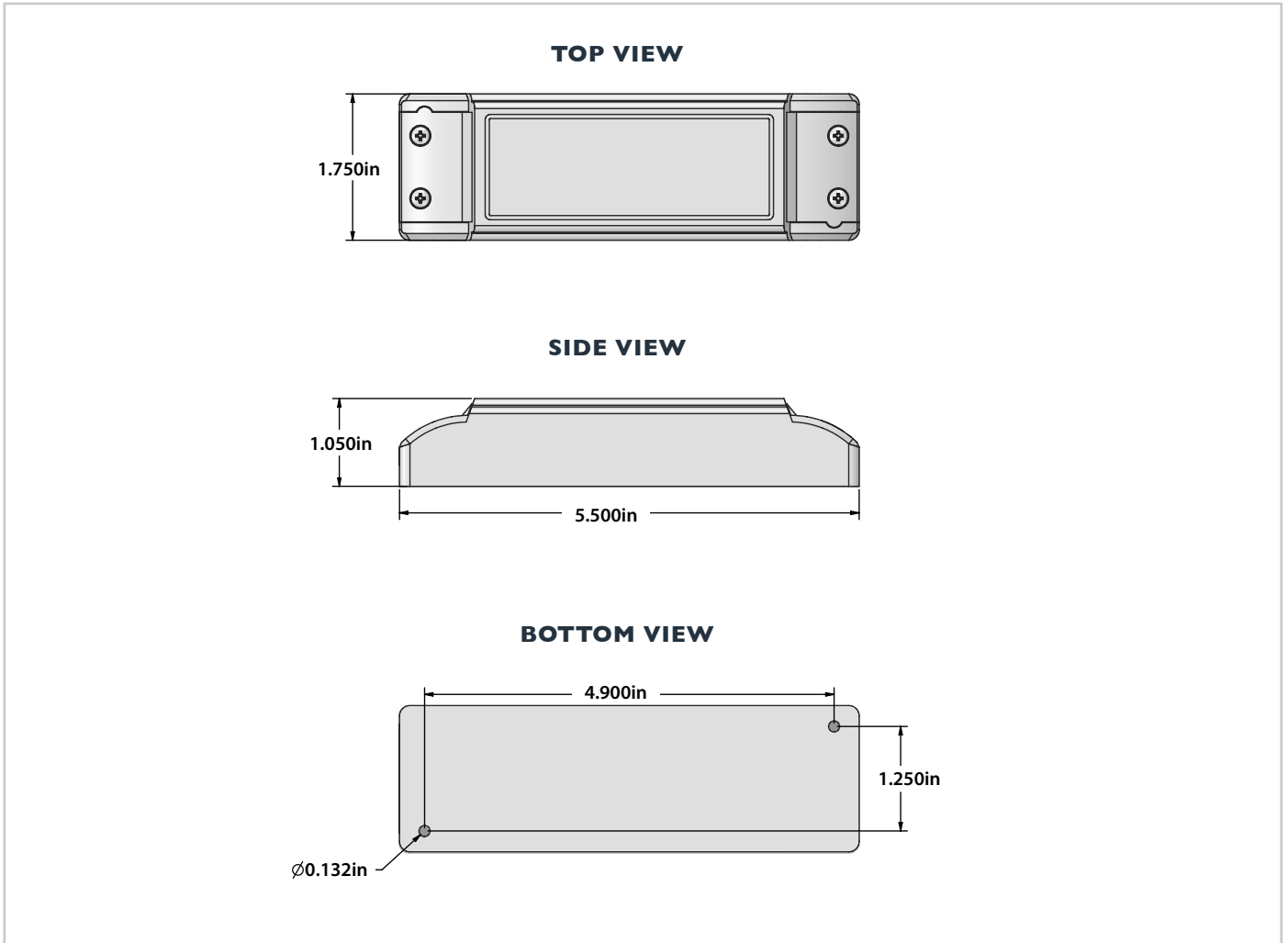
Our power supplies feature flexible input voltage (90-135VAC) and come in 24VDC voltage output. Wattage displayed is the Maximum Wattage. These power supplies are rated to run at 80% continuous wattage or 16 Watts continuous.



[Learn more](#)

| | |
|---|---|
| | 24VDC |
| Power Supply Dimensions | 5-1/2" long, 1-3/4" wide, 1" tall |
| Input Voltage | 90-135VAC |
| Output Voltage | 24VDC |
| Output Current | 0.83A @ 24VDC |
| Dimmable | Yes, with most standard dimmer switches |
| Power Consumption | 20 Watts Maximum |
| Maximum Continuous Wattage | 16 Watts |
| Recommended Box/Enclosure (Optional) | AL-PS-BX-SM |
| Weight | 0.4 lbs |
| IP Rating | IP40 |
| Suitable Uses | Interior/Exterior Dry, Damp Locations |
| Warranty | 1 Year |
| Standards / Certifications | ETL Listed, RoHS |

Dimensions



SKU Builder

MODEL #:

AL-PS-W-D-20

VOLTAGE:

24V

24VDC