



## Modern Series 4 Light (12 LED) Recessed Light for Flat or Sloped Ceilings - Standard Bright (12W)

**MODEL: AL-RL-M-12-S**

### DESCRIPTION

aspectLED's Modern Series Recessed Lighting brings a sleek and modern look to your lighting design. Our recessed lights are bright, energy efficient, and attractively styled, making them perfect for virtually any residential or commercial application.

At under 2" tall, these recessed lights can fit into tight spaces that a traditional recessed can light can't, such as ceilings with ductwork/piping/obstructions, hot-roof ceilings with limited vertical clearance, and tight soffits.

These lights feature an easily adjustable LED face that can be pointed straight downward, making them compatible with sloped ceilings (up to 6/12 pitch). They also make perfect art spotlights or wall accent lights, as they can also be installed in flat ceilings and adjusted to point at walls, artwork, or sculptures.

### PHYSICAL DIMENSIONS + SPECIFICATIONS

	12VDC	24VDC	120VAC
<b>Light Fixture Dimensions</b>	7-1/8" (180mm) Long 7-1/8" (180mm) Wide 1-13/16" (45mm) Tall	7-1/8" (180mm) Long 7-1/8" (180mm) Wide 1-13/16" (45mm) Tall	7-1/8" (180mm) Long 7-1/8" (180mm) Wide 1-13/16" (45mm) Tall
<b>External LED Driver Dimensions</b>	2" (51mm) long 1" (25.5mm) wide 7/8" (22mm) tall	2" (51mm) long 1" (25.5mm) wide 7/8" (22mm) tall	3-7/8" (98mm) long 1-1/2" (38mm) wide 1" (25mm) thick
<b>Cut-Out Hole Size</b>	6-3/8" (162mm) Long 6-3/8" (162mm) Wide	6-3/8" (162mm) Long 6-3/8" (162mm) Wide	6-3/8" (162mm) Long 6-3/8" (162mm) Wide
<b>LED Driver Input Voltage</b>	12VDC	24VDC	120VAC
<b>Dimmable</b>	Yes	Yes	Yes
<b>Nominal Power Consumption</b>	12 Watts	12 Watts	12 Watts
<b>Max Luminous Flux of LED Array</b>	Up to 1360 Lumens	Up to 1360 Lumens	Up to 1360 Lumens
<b>LED Type</b>	SMD LED Chips	SMD LED Chips	SMD LED Chips
<b>LED Quantity</b>	12-High Power 1 Watt LED	12-High Power 1 Watt LED	12-High Power 1 Watt LED
<b>Fixture Material</b>	High Performance Aluminum Alloy	High Performance Aluminum Alloy	High Performance Aluminum Alloy
<b>Operating Temperature</b>	-4 Degrees Fahrenheit (-20 Celsius) to +122 Degrees Fahrenheit (+50 Celsius)	-4 Degrees Fahrenheit (-20 Celsius) to +122 Degrees Fahrenheit (+50 Celsius)	-4 Degrees Fahrenheit (-20 Celsius) to +122 Degrees Fahrenheit (+50 Celsius)
<b>Weight</b>	1.2 lbs	1.2 lbs	1.4 lbs
<b>Estimated Lifespan</b>	Up to 50,000 hours	Up to 50,000 hours	Up to 50,000 hours
<b>Warranty</b>	3 Years	3 Years	3 Years
<b>IC Rated</b>	IC Rated for direct contact with insulation	IC Rated for direct contact with insulation	IC Rated for direct contact with insulation
<b>Suitable Uses</b>	Dry or Damp Locations	Dry or Damp Locations	Dry or Damp Locations
<b>Standards/Certifications</b>	RoHS	RoHS	RoHS

### CERTIFICATIONS

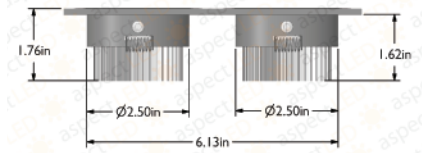
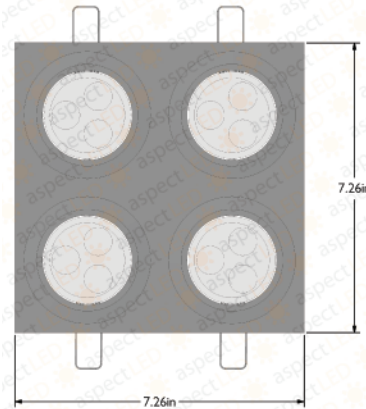
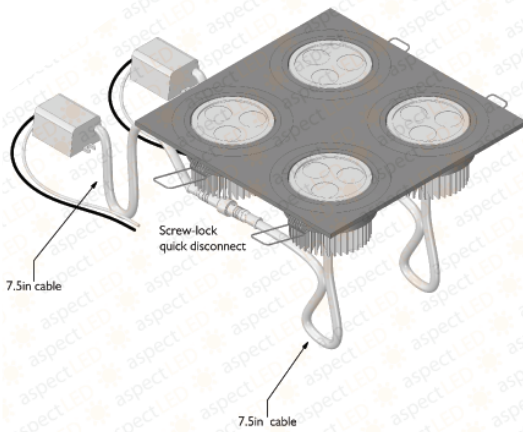


For general information purposes only. Specifications, dimensions and construction subject to change without notice.

# Modern Series 4 Light (12 LED) Recessed Light for Flat or Sloped Ceilings - Standard Bright (12W)

MODEL: AL-RL-M-12-S

## DIMENSIONS



Note: Cut out hole size is 6-3/8in by 6-3/8in

## SKU BUILDER

Model Number

AL-RL-M-12-S

Voltage

12VDC  
24VDC  
120VAC

LED Color

Warm White - WW  
Cool White - CW  
Day White - DW  
Blue - B  
Green - G  
Red - R  
Yellow - Y

Trim Color

Satin Nickel - SN  
White - WT  
Dark Bronze - DB  
Brass - BS

Beam Angle

Flood Light (60°)  
Spot Light (15°)

## ACCESSORIES

- Extension Cable for Recessed LED Light  
SKU: AL-RL-EXT
- 60 Watt LED Power Supply  
SKU: AL-PS-W-60
- 60W Dimmable LED Power Supply  
SKU: AL-PS-W-D-60-24V

## PHOTOMETRICS

\*Cool white tested. Light output may vary by color temperature.

Beam Dia at 50% CBCP (inches)	Field Dia at 10% CBCP (inches)	Foot-candles at center beam	Lux at center beam	Distance from fixture
15.3" / 11.6"	24.4" / 23.6"	1,153.1 / 543.6	12,411.8 / 5,851.2	2ft
13.8" / 17.5"	31.4" / 38.0"	531.7 / 271.3	5,723.1 / 2,920.2	3ft
16.0" / 27.0"	37.0" / 48.0"	295.5 / 150.2	3,180.7 / 1,616.7	4ft
21.0" / 38.0"	47.5" / 59.0"	192.8 / 98.0	2,075.2 / 1,054.8	5ft
23.0" / 44.0"	56.0" / 70.0"	112.7 / 67.6	1,213.0 / 727.6	6ft
28.0" / 57.5"	69.0" / 95.5"	76.8 / 37.8	826.6 / 406.8	8ft

The beam angle is the angle at which light exits your light fixture. The larger the number, the wider the beam of light that is emitted from the light fixture. This chart shows a 15 and 60 degree beam angle option.

For general information purposes only. Specifications, dimensions and construction subject to change without notice.