



## Modern Series 6 LED Recessed Light for Flat or Sloped Ceilings - Standard Bright (6W)

**MODEL: AL-RL-M-6-S**

### DESCRIPTION

aspectLED's Modern Series Recessed Lighting brings a sleek and modern look to your lighting design. Our recessed lights are bright, energy efficient, and attractively styled, making them perfect for virtually any residential or commercial application.

At under 2" tall, these recessed lights can fit into tight spaces that a traditional recessed can light can't, such as ceilings with ductwork/piping/obstructions, hot-roof ceilings with limited vertical clearance, and tight soffits.

These lights feature an easily adjustable LED face that can be pointed straight downward, making them compatible with sloped ceilings (up to 6/12 pitch). They also make perfect art spotlights or wall accent lights, as they can also be installed in flat ceilings and adjusted to point at walls, artwork, or sculptures.

### CERTIFICATIONS



### PHYSICAL DIMENSIONS + SPECIFICATIONS

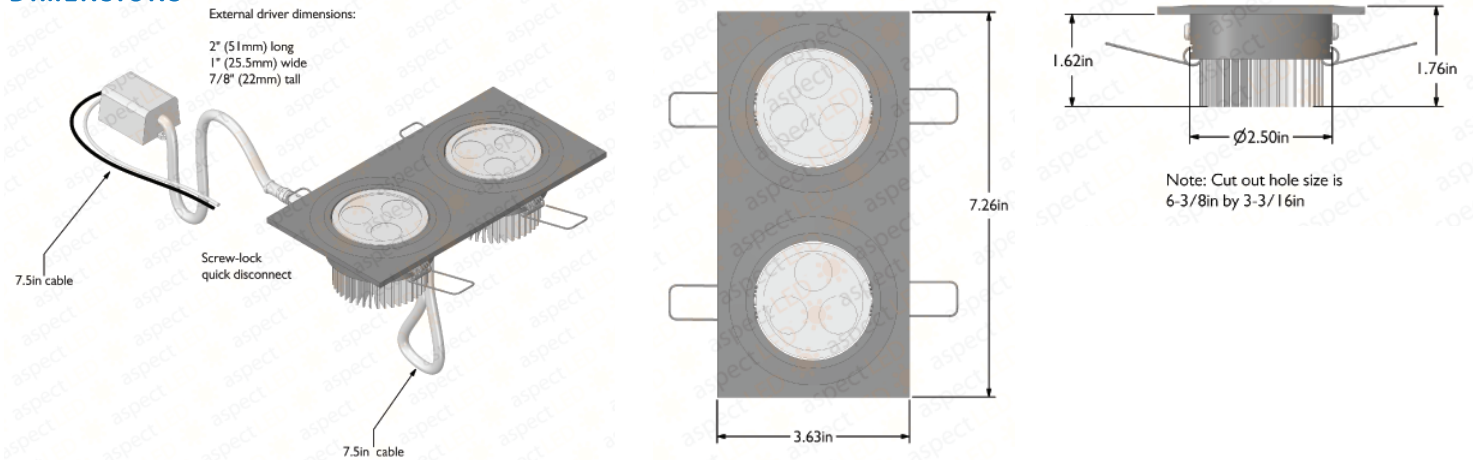
	12VDC	24VDC	120VAC
<b>Light Fixture Dimensions</b>	6-3/4" (172mm) Long 3-5/8" (92mm) Wide 1-3/4" (45mm) Tall	6-3/4" (172mm) Long 3-5/8" (92mm) Wide 1-3/4" (45mm) Tall	6-3/4" (172mm) Long 3-5/8" (92mm) Wide 1-3/4" (45mm) Tall
<b>External LED Driver Dimensions</b>	2" (51mm) long 1" (25.5mm) wide 7/8" (22mm) tall	2" (51mm) long 1" (25.5mm) wide 7/8" (22mm) tall	3-7/8" (98mm) long 1-1/2" (38mm) wide 1" (25mm) thick
<b>Cut-Out Hole Size</b>	6-3/8" (162mm) Long 3-3/16" (80mm) Wide	6-3/8" (162mm) Long 3-3/16" (80mm) Wide	6-3/8" (162mm) Long 3-3/16" (80mm) Wide
<b>LED Driver Input Voltage</b>	12VDC	24VDC	120VAC
<b>Dimmable</b>	Yes	Yes	Yes
<b>Nominal Power Consumption</b>	6 Watts	6 Watts	6 Watts
<b>Max Luminous Flux of LED Array</b>	Up to 680 Lumens	Up to 680 Lumens	Up to 680 Lumens
<b>LED Type</b>	SMD LED Chips	SMD LED Chips	SMD LED Chips
<b>LED Quantity</b>	6-High Power 1 Watt LED	6-High Power 1 Watt LED	6-High Power 1 Watt LED
<b>Fixture Material</b>	High Performance Aluminum Alloy	High Performance Aluminum Alloy	High Performance Aluminum Alloy
<b>Operating Temperature</b>	-4 Degrees Fahrenheit (-20 Celsius) to +122 Degrees Fahrenheit (+50 Celsius)	-4 Degrees Fahrenheit (-20 Celsius) to +122 Degrees Fahrenheit (+50 Celsius)	-4 Degrees Fahrenheit (-20 Celsius) to +122 Degrees Fahrenheit (+50 Celsius)
<b>Weight</b>	1.2 lbs	1.2 lbs	1.4 lbs
<b>Estimated Lifespan</b>	Up to 50,000 hours	Up to 50,000 hours	Up to 50,000 hours
<b>Warranty</b>	3 Years	3 Years	3 Years
<b>IC Rated</b>	IC Rated for direct contact with insulation	IC Rated for direct contact with insulation	IC Rated for direct contact with insulation
<b>Suitable Uses</b>	Dry or Damp Locations	Dry or Damp Locations	Dry or Damp Locations
<b>Compatible Power Supplies</b>	Dimmable Power Supplies and Non-Dimmable Power Supplies; Never use with MLV power supplies!	Dimmable Power Supplies and Non-Dimmable Power Supplies; Never use with MLV power supplies!	No Power Supply Needed (Driver included with light)
<b>Standards/Certifications</b>	RoHS	RoHS	RoHS

For general information purposes only. Specifications, dimensions and construction subject to change without notice.

# Modern Series 6 LED Recessed Light for Flat or Sloped Ceilings - Standard Bright (6W)

**MODEL: AL-RL-M-6-S**

## DIMENSIONS



## SKU BUILDER

Model Number

AL-RL-M-6-S

Voltage

12VDC  
 24VDC  
 120VAC

LED Color

Warm White - WW  
 Cool White - CW  
 DayWhite - DW  
 Blue - B  
 Green - G  
 Red - R  
 Yellow - Y

Trim Color

Satin Nickel - SN  
 White - WT  
 Dark Bronze - DB  
 Brass - BS

## ACCESSORIES

- Rough-In Plate/Bracket for Round/Modern Series Recessed LED Lights  
SKU: AL-RL-RP-M6
- Extension Cable for Recessed LED Light  
SKU: AL-RL-EXT
- 60 Watt LED Power Supply  
SKU: AL-PS-W-60
- 60W Dimmable LED Power Supply  
SKU: AL-PS-W-D-60-24V

## PHOTOMETRICS

\*Cool white tested. Light output may vary by color temperature.

Beam Dia at 50% CBCP (inches)	Field Dia at 10% CBCP (inches)	Foot-candles at center beam	Lux at center beam	Distance from fixture
15° / 60°	15° / 60°	15° / 60°	15° / 60°	2ft
7.6" / 10.3"	14.1" / 14.0"	906.3 / 419.5	9755.3 / 4515.4	3ft
11.3" / 16.0"	20.0" / 29.5"	399.6 / 208.0	4301.2 / 2238.9	4ft
12.5" / 21.0"	26.0" / 44.5"	220.4 / 106.0	2372.3 / 1140.9	5ft
17.5" / 30.0"	31.5" / 57.5"	142.7 / 65.3	1536.0 / 702.9	6ft
20.0" / 36.5"	37.5" / 66.5"	97.0 / 46.3	1044.1 / 498.4	8ft
26.0" / 45.5"	49.5" / 104.0"	54.1 / 24.8	582.3 / 266.9	

The beam angle is the angle at which light exits your light fixture. The larger the number, the wider the beam of light that is emitted from the light fixture. This chart shows a 15 and 60 degree beam angle option.

For general information purposes only. Specifications, dimensions and construction subject to change without notice.