

WIRELESS TUNABLE WHITE WALL CONTROLLER +DMX

Installation + Pairing Guide

AL-CTLR-CCT-DMXRF-WMT



Important: Read All Instructions Prior to Installation

Safety & Warnings

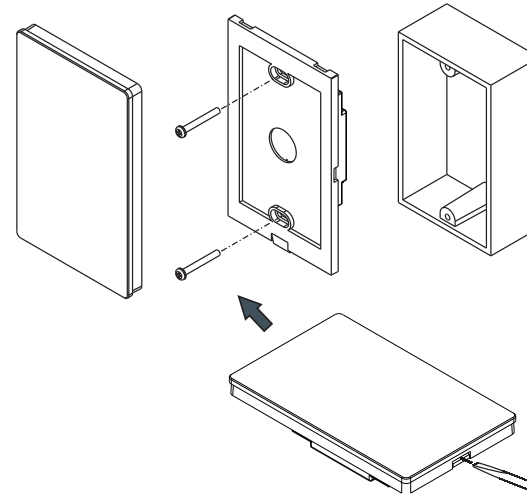
- DO NOT install with power applied to device.
- DO NOT expose the device to moisture.

Product Data

Output Signal	DMX512 signal
Power Supply	12-24VDC
Power consumption	< 20 mA
Operating temp	0-40°C
Relative humidity	8% to 80%
Dimensions	2.95"x4.72"x1.15" {75x120x29.1(mm)}

- Touch sensitive
- Glass interface(white & black)
- Standard DMX512 Signal output
- Can Send RF signal, control RF receivers
- Radio frequency: 916.5MHz
- Control CCT color
- Control 1 zone
- Waterproof grade: IP20


Installation

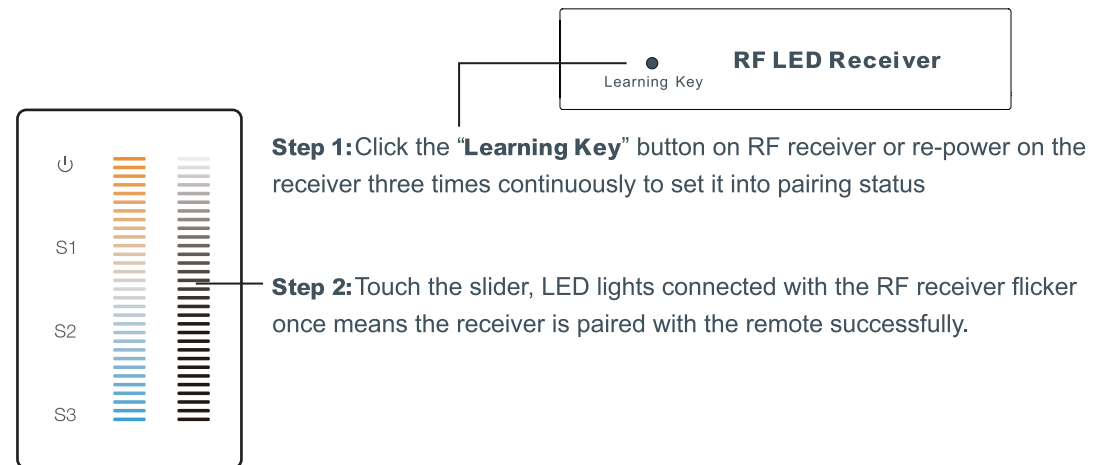


Set DMX Address

This DMX master controller can control many DMX decoders, please set all decoders' address as 001.

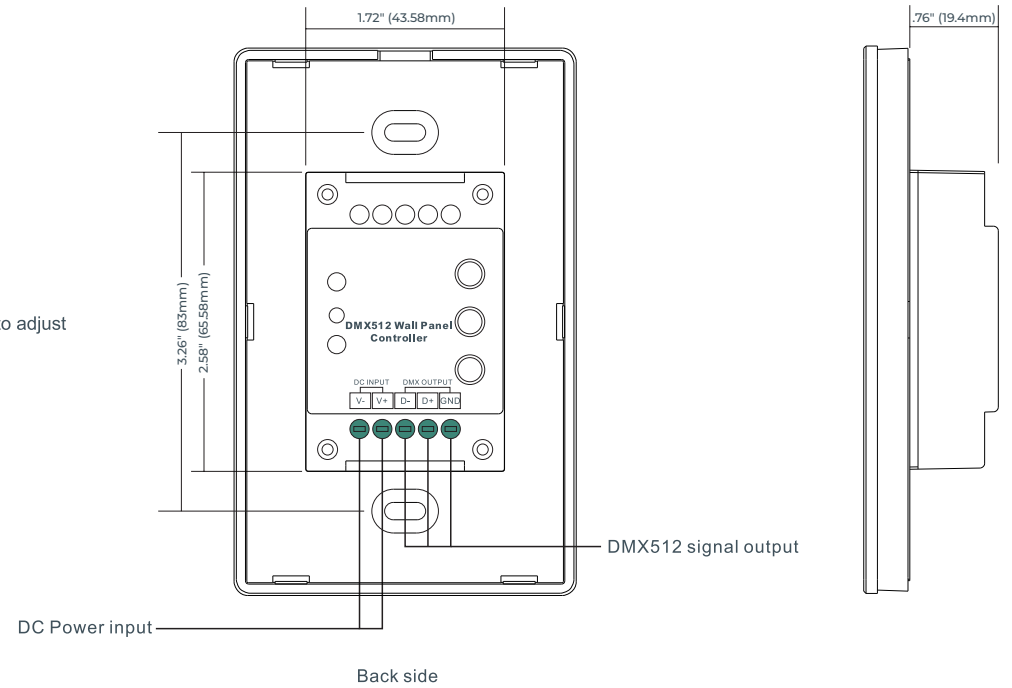
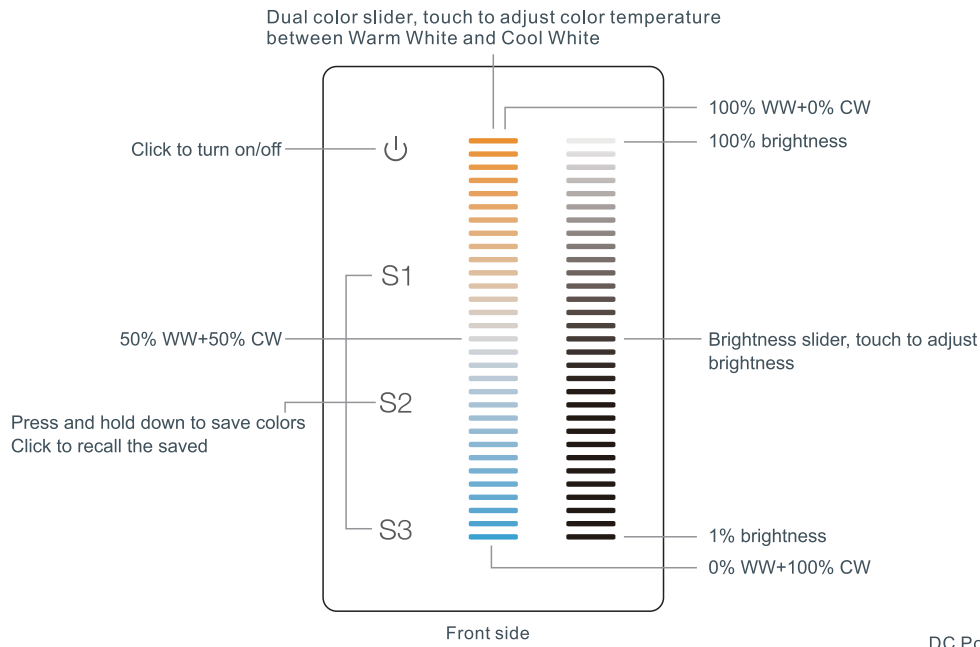
Pair with RF receiver

1. Do wiring the wall panel & RF receiver according to wiring diagram (please refer to the instruction of RF receiver that you would like to pair with)
2. Power on, then touch the button  to turn on the controller, indicator of the controller turned blue



Technical Drawing

AL-CTLR-CCT-DMXRF-WMT



Wiring Guide

AL-CTLR-CCT-DMXRF-WMT

