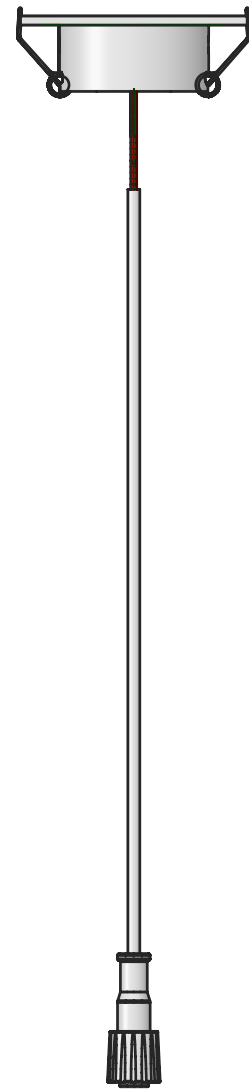
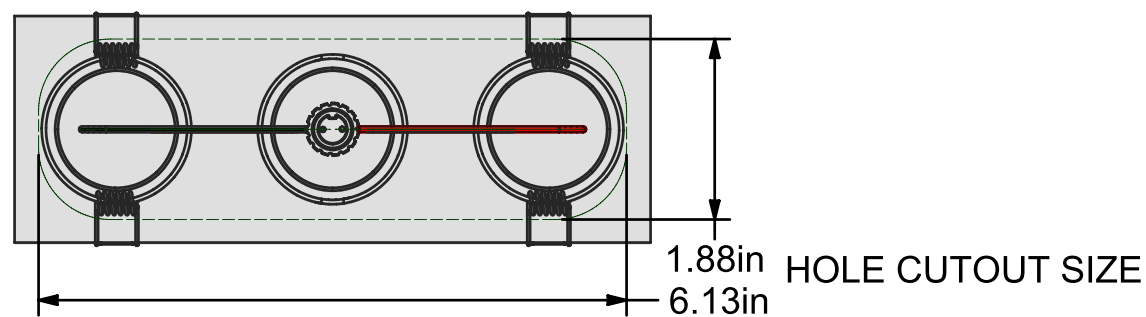


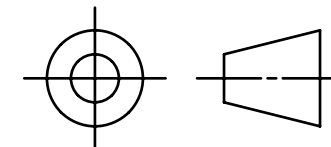
MIN. 9.00in CORD LENGTH

Ø0.55in



CONFIDENTIAL. Copyright © 2019 ASP Holdings, Inc. All Rights Reserved. All specifications subject to change at anytime without prior notice.
The products shown herein incorporate features and technologies that are the sole intellectual property of ASP Holdings, Inc

THIRD ANGLE PROJECTION



DESCRIPTION MODERN MICRO SERIES RECESSED 3 LED	
CREATED 4/8/2020	
LAST SAVED 6/2/2020 9:58:28 AM	
DRAWN BY DP	REVISION 0
SHEET 1 OF 1	SCALE 1:2
MATERIAL -	
FINISH -	