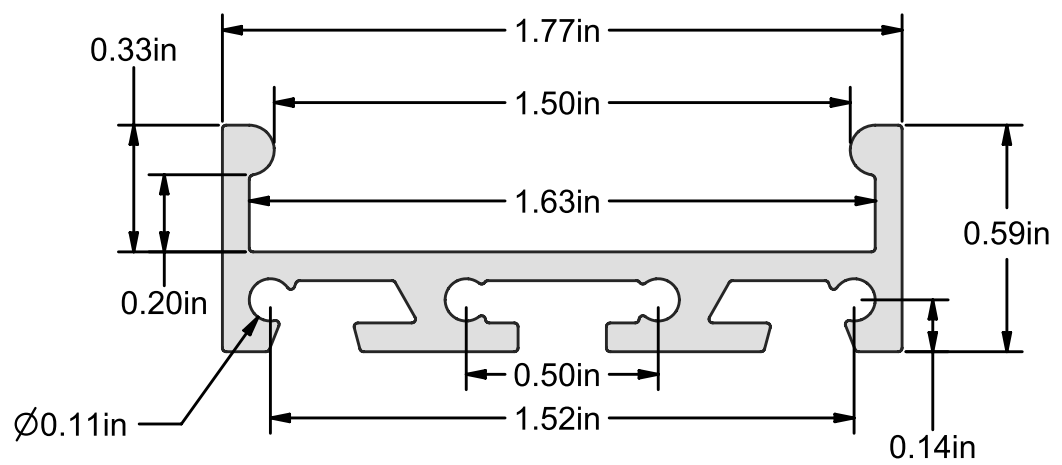
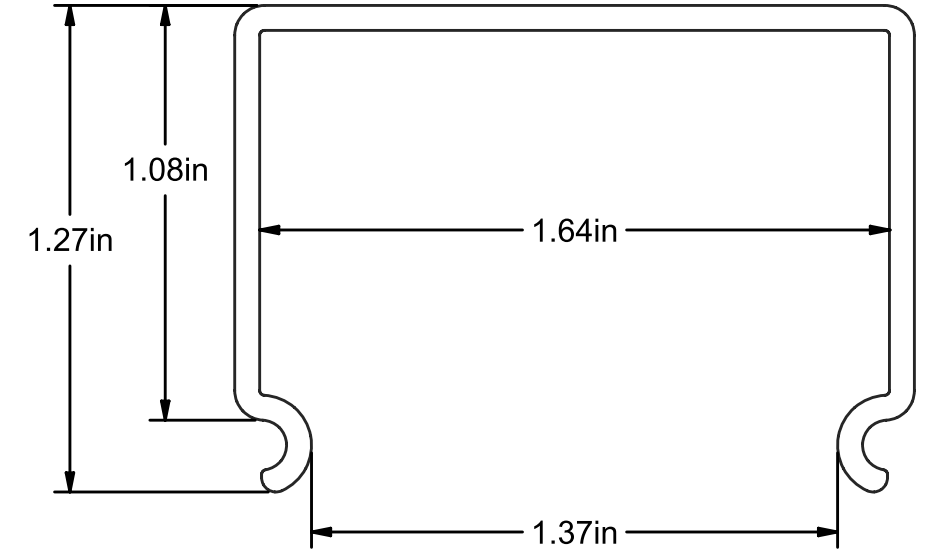


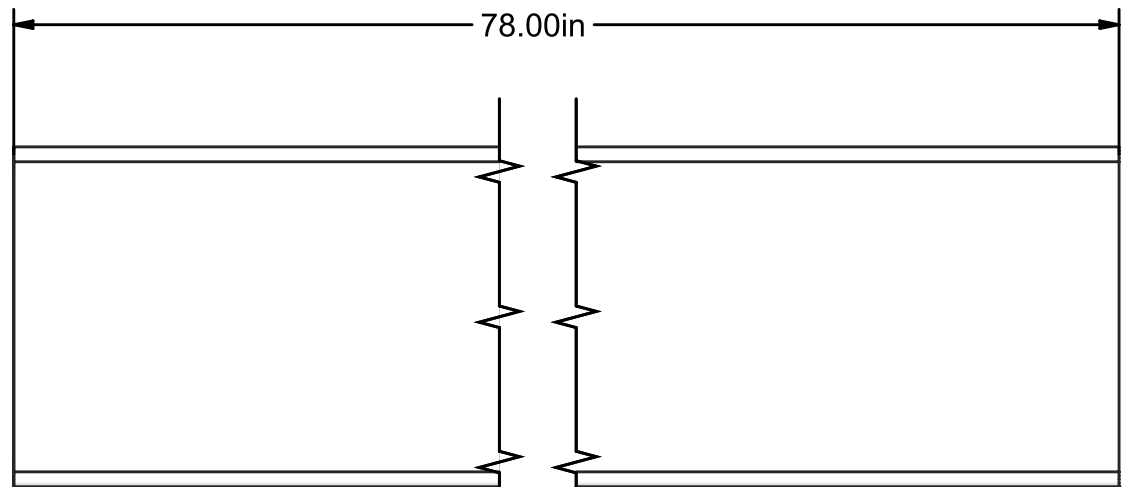
EXTRUSION & LENS



EXTRUSION ONLY


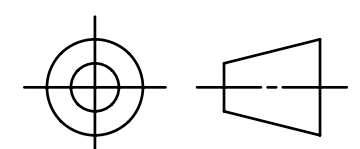


LENS ONLY



TOP VIEW

SCALE 1:1

		DESCRIPTION AL-TRK-LNR	
		CREATED 3/3/2021	
CONFIDENTIAL. Copyright © 2021 ASP Holdings, Inc. All Rights Reserved. All specifications subject to change at anytime without prior notice. The products shown herein incorporate features and technologies that are the sole intellectual property of ASP Holdings, Inc		LAST SAVED 3/4/2021 8:52:08 AM	
		DRAWN BY DP	REVISION 0
THIRD ANGLE PROJECTION 		SHEET 1 OF 1	SCALE 2:1
		MATERIAL -	
		FINISH -	