

4

3

2

1

D

D

C

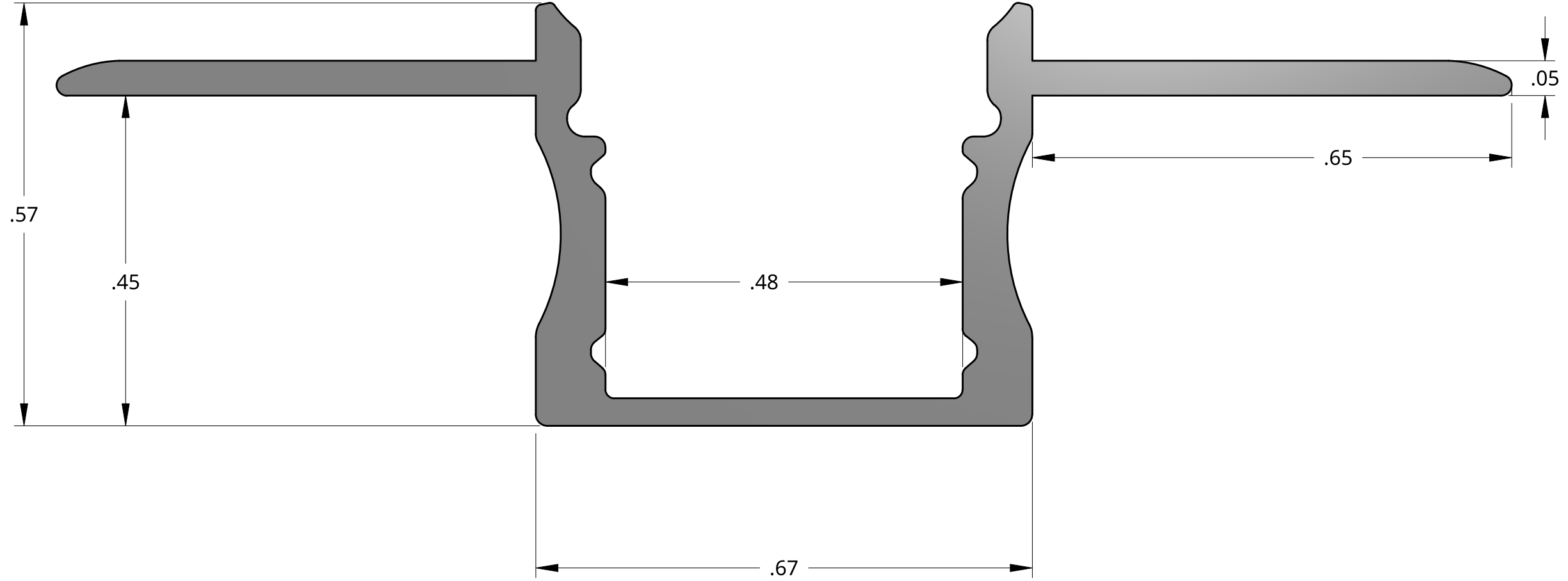
C

B

B

A

A



UNLESS OTHERWISE SPECIFIED,
DIMENSIONS ARE IN INCHES

GENERAL TOLERANCES
 .XX = ±.05
 .XXX = ±.005
 .XXXX = ±.0005
 ANGULAR = ±1°
 FRACTIONAL = ±1/16



PRODUCT DESCRIPTION
MUD-IN LED CHANNEL, NARROW

THIRD ANGLE PROJECTION

DO NOT SCALE DRAWING

CONFIDENTIAL. Copyright © 2025 ASP Holdings, Inc. All Rights Reserved. All specifications subject to change at anytime without prior notice.

The products shown herein incorporate features and technologies that are the sole intellectual property of ASP Holdings, Inc.

	NAME	DATE
DRAWN BY	DANIEL G	05/07/2026
ORDER	----	--/------

DWG SIZE	SKU		
B	AL-TRK-MUD2-N		
SCALE	VERSION	SHEET	REV.
6:1		1 of 1	

4

3

2

1