

4

3

2

1

D

D

C

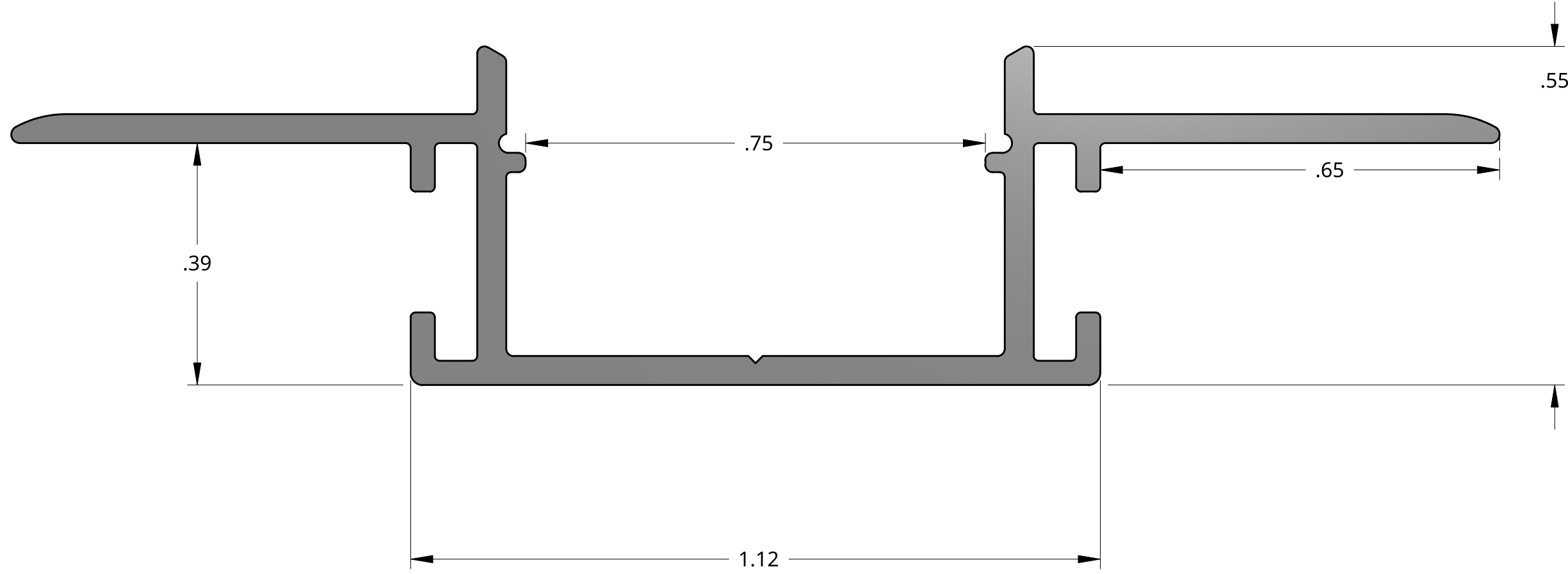
C

B

B

A

A



UNLESS OTHERWISE SPECIFIED,
DIMENSIONS ARE IN INCHES

GENERAL TOLERANCES
 .XX = ±.05
 .XXX = ±.005
 .XXXX = ±.0005
 ANGULAR = ±1°
 FRACTIONAL = ±1/16



PRODUCT DESCRIPTION

MUD IN CHANNEL WIDE

THIRD ANGLE PROJECTION

DWG SIZE	SKU
B	AL-TRK-MUD2-W

DO NOT SCALE DRAWING

CONFIDENTIAL. Copyright © 2025 ASP Holdings, Inc. All Rights Reserved. All specifications subject to change at anytime without prior notice.

The products shown herein incorporate features and technologies that are the sole intellectual property of ASP Holdings, Inc.

	NAME	DATE
DRAWN BY	DANIEL G	05/07/2026
ORDER	----	--/------

SCALE	VERSION	SHEET	REV.
5:1		1 of 1	

4

3

2

1