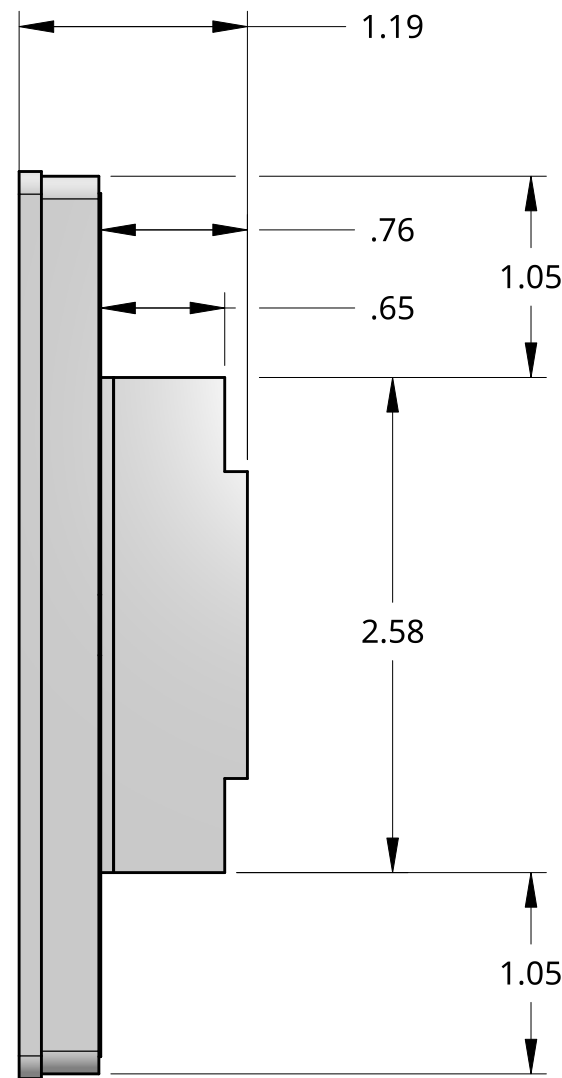
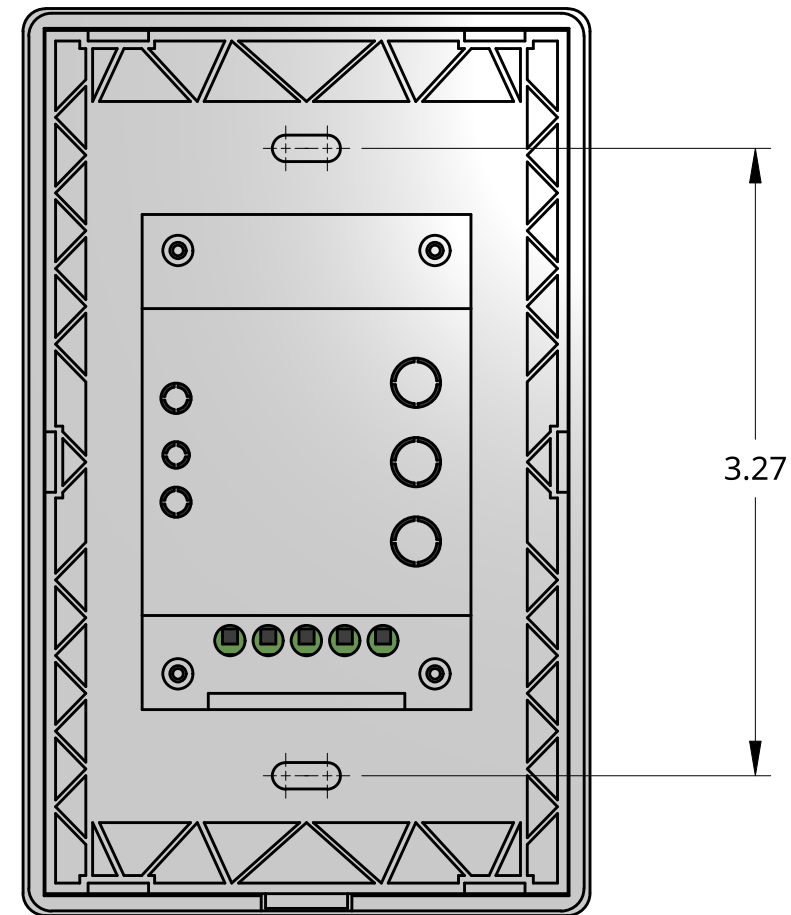


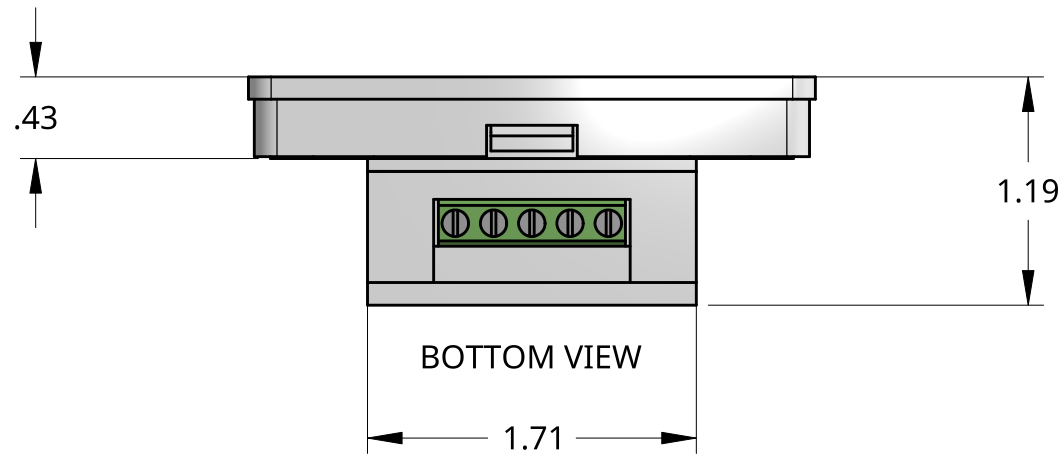
FRONT VIEW



SIDE VIEW



BACK VIEW



BOTTOM VIEW

UNLESS OTHERWISE SPECIFIED,  
DIMENSIONS ARE IN INCHES  
GENERAL TOLERANCES  
.XX = ±.05  
.XXX = ±.005  
.XXXX = ±.0005  
ANGULAR = ±1°  
FRACTIONAL = ±1/16

DO NOT SCALE DRAWING

CONFIDENTIAL. Copyright © 2025 ASP Holdings, Inc. All Rights Reserved. All specifications subject to change at anytime without prior notice.

The products shown herein incorporate features and technologies that are the sole intellectual property of ASP Holdings, Inc.



THIRD ANGLE PROJECTION

DRAWN BY	NAME	DATE
EDGAR V		01/29/2026
ORDER	----	--/------

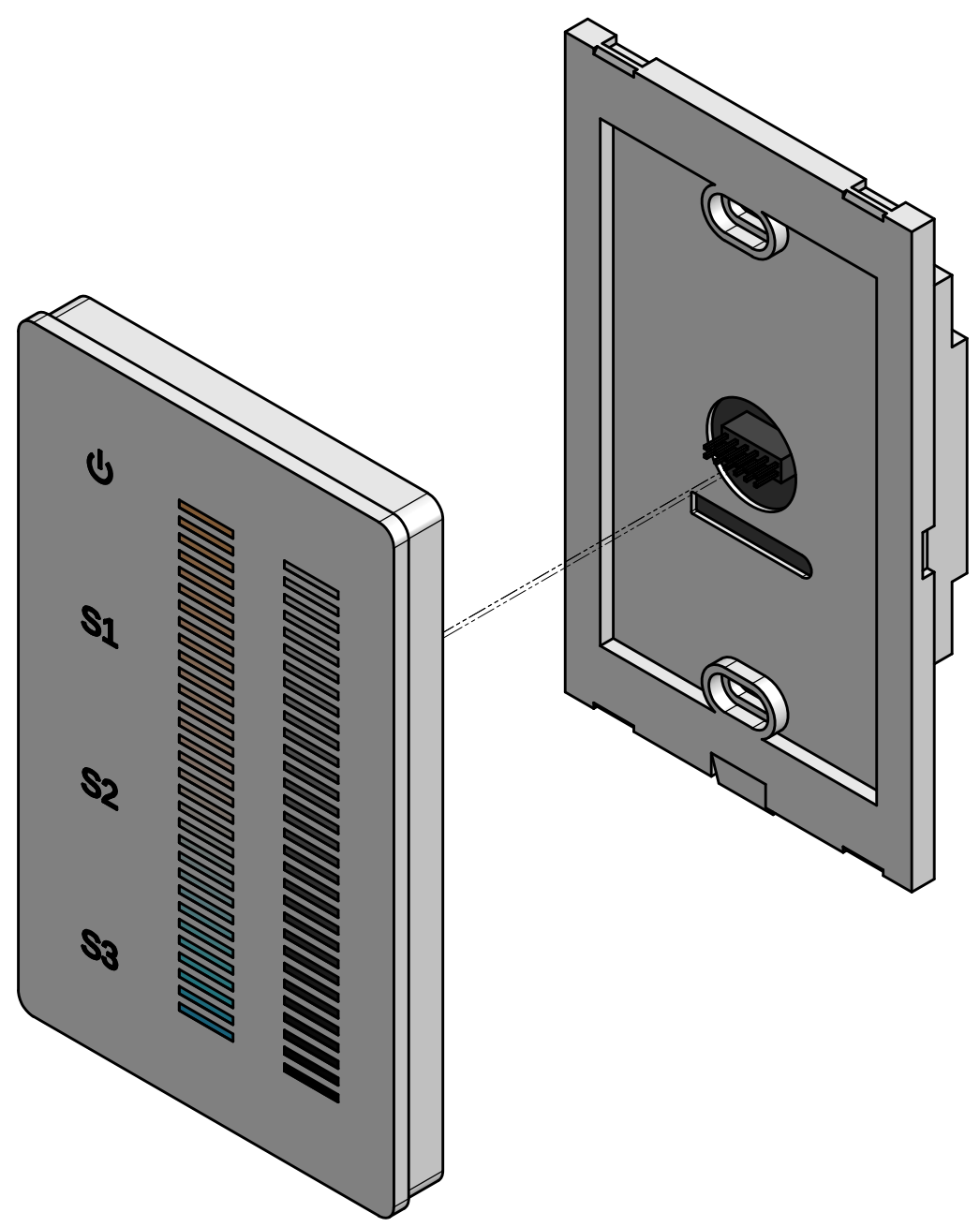
PRODUCT DESCRIPTION			
WIRELESS CCT LED DIMMING WALL CONTROLLER			
DWG SIZE	SKU	AL-CTLR-CCT-1ZRF-WMT	
B			
SCALE	VERSION	SHEET	REV.
1:1		1 of 2	1

4

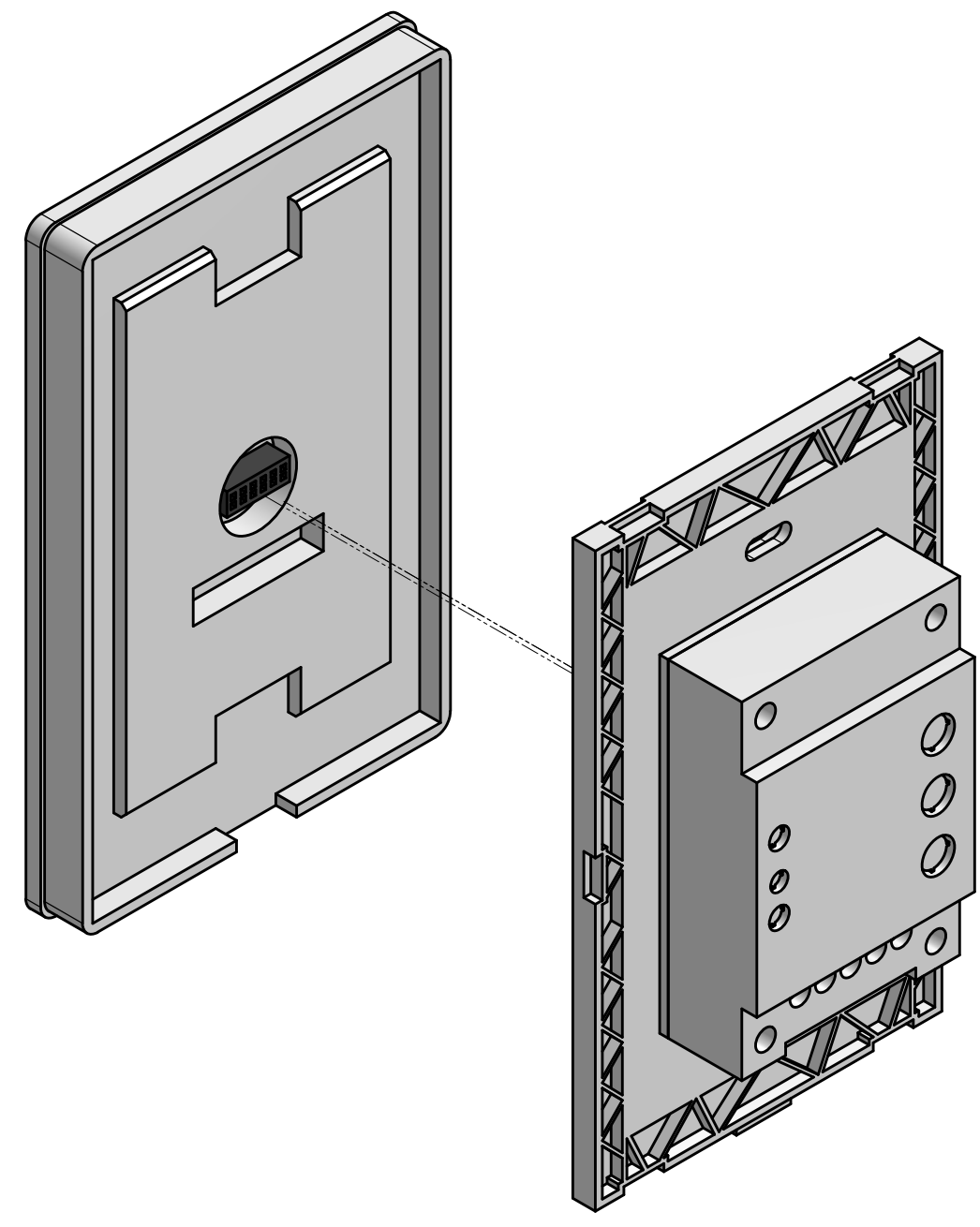
3

2

1



FRONT ISOMETRIC VIEW (EXPLODED)



BACK ISOMETRIC VIEW (EXPLODED)

NOTES:  
 1 - FRONT PANEL CAN BE REMOVED TO ALLOW FOR MOUNTING WITHIN STANDARD JUNCTION BOXES (3-9/32" SCREW SPACING)

UNLESS OTHERWISE SPECIFIED, DIMENSIONS ARE IN INCHES GENERAL TOLERANCES .XX = ±.05 .XXX = ±.005 .XXXX = ±.0005 ANGULAR = ±1° FRACTIONAL = ±1/16			PRODUCT DESCRIPTION <b>WIRELESS CCT LED DIMMING WALL CONTROLLER</b>			
	THIRD ANGLE PROJECTION		DWG SIZE	SKU	<b>AL-CTLR-CCT-1ZRF-WMT</b>	
DO NOT SCALE DRAWING	NAME	DATE	SCALE	VERSION	SHEET	REV.
<small>CONFIDENTIAL. Copyright © 2025 ASP Holdings, Inc. All Rights Reserved. All specifications subject to change at anytime without prior notice.</small>	DRAWN BY	EDGAR V				
<small>The products shown herein incorporate features and technologies that are the sole intellectual property of ASP Holdings, Inc.</small>	ORDER	----	1:1			

4

3

2

1

D

D

C

C

B

B

A

A