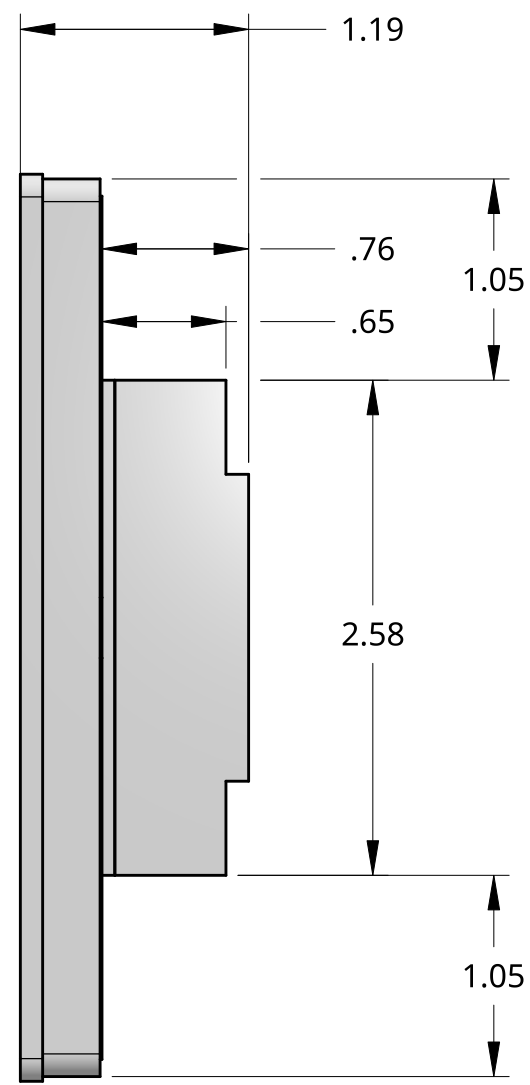
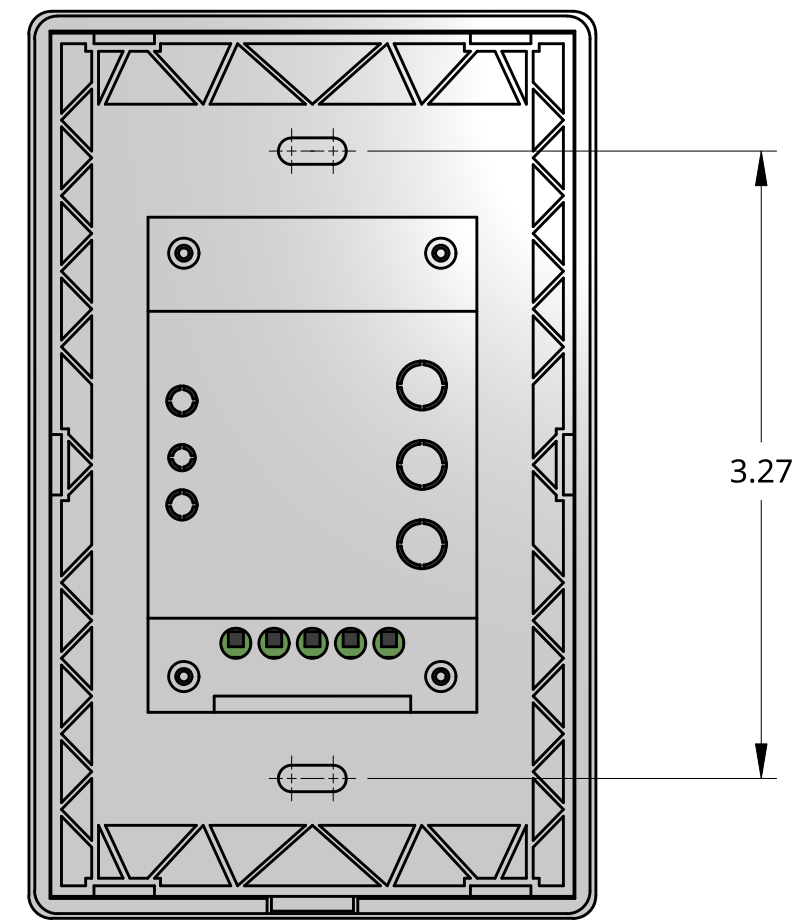


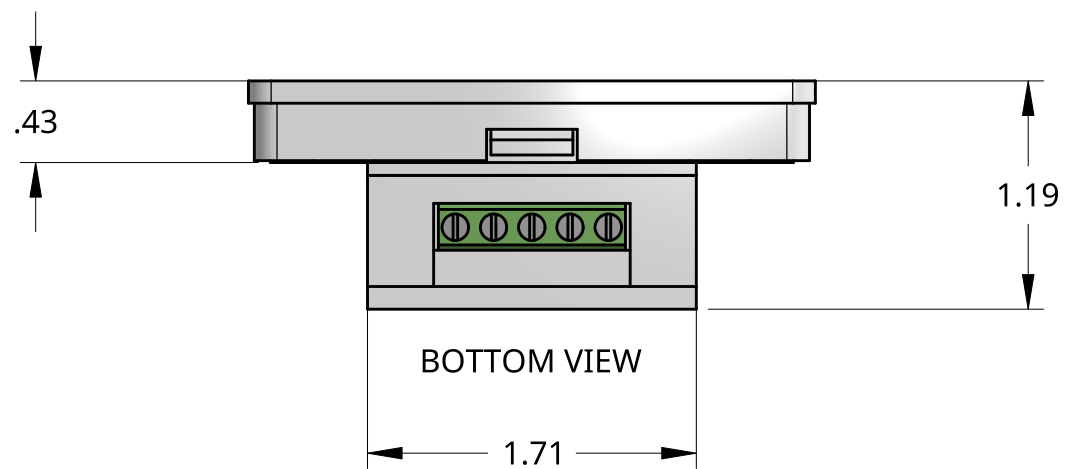
FRONT VIEW



SIDE VIEW



BACK VIEW



BOTTOM VIEW

UNLESS OTHERWISE SPECIFIED,
DIMENSIONS ARE IN INCHES
GENERAL TOLERANCES
.XX = ±.05
.XXX = ±.005
.XXXX = ±.0005
ANGULAR = ±1°
FRACTIONAL = ±1/16



THIRD ANGLE PROJECTION

PRODUCT DESCRIPTION
**WIRELESS MULTI-ZONE LED
DIMMING WALL CONTROLLER**

DO NOT SCALE DRAWING

CONFIDENTIAL. Copyright © 2025 ASP Holdings, Inc. All Rights Reserved. All specifications subject to change at anytime without prior notice.

The products shown herein incorporate features and technologies that are the sole intellectual property of ASP Holdings, Inc.

DRAWN BY	NAME	DATE
EDGAR V		01/29/2026
ORDER	----	--/------

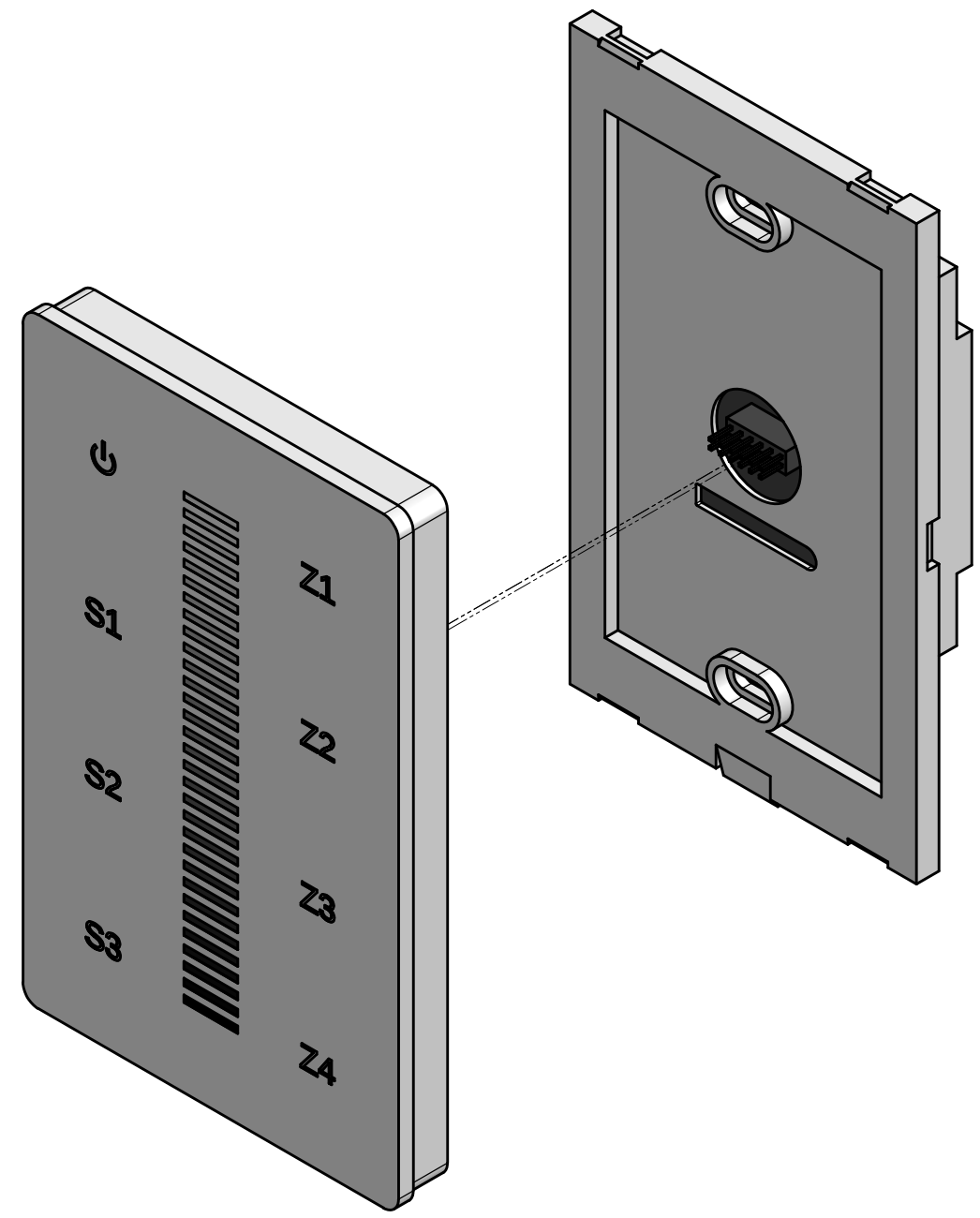
DWG SIZE	SKU	SCALE	VERSION	SHEET	REV.
B	AL-CTLR-DIM-4ZRF-WMT	1:1		1 of 2	1

4

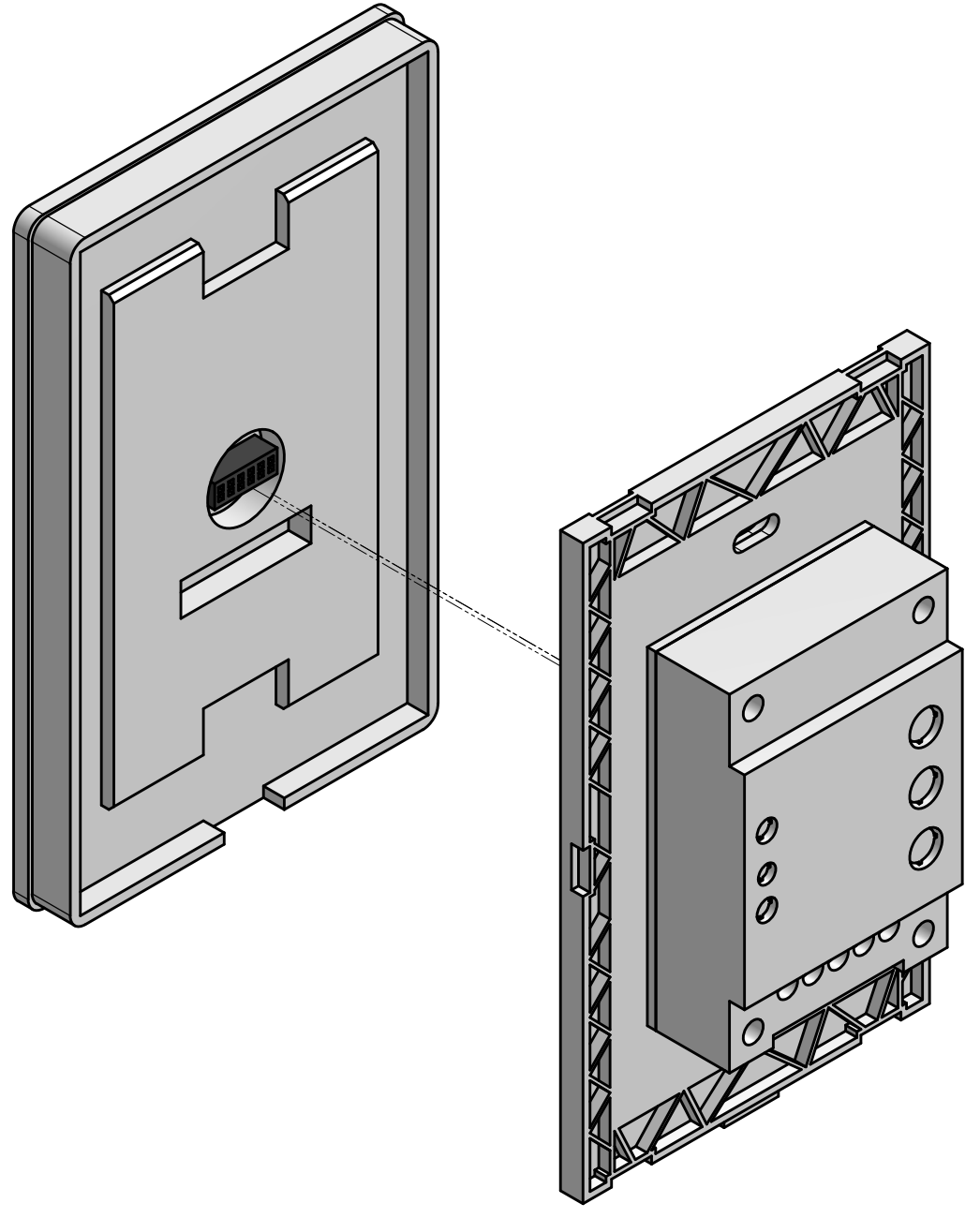
3

2

1



FRONT ISOMETRIC VIEW (EXPLODED)



BACK ISOMETRIC VIEW (EXPLODED)

NOTES:
 1 - FRONT PANEL CAN BE REMOVED TO ALLOW FOR MOUNTING WITHIN STANDARD JUNCTION BOXES (3-9/32" SCREW SPACING)

UNLESS OTHERWISE SPECIFIED,
 DIMENSIONS ARE IN INCHES
 GENERAL TOLERANCES
 .XX = ±.05
 .XXX = ±.005
 .XXXX = ±.0005
 ANGULAR = ±1°
 FRACTIONAL = ±1/16



PRODUCT DESCRIPTION
**WIRELESS MULTI-ZONE LED
 DIMMING WALL CONTROLLER**

DO NOT SCALE DRAWING
CONFIDENTIAL. Copyright © 2025 ASP Holdings, Inc. All Rights Reserved. All specifications subject to change at anytime without prior notice.
 The products shown herein incorporate features and technologies that are the sole intellectual property of ASP Holdings, Inc.

THIRD ANGLE PROJECTION		
DRAWN BY	EDGAR V	01/29/2026
ORDER	----	--/--/----

DWG SIZE	SKU	AL-CTLR-DIM-4ZRF-WMT		
SCALE	VERSION	SHEET	REV.	
1:1		2 of 2	1	

4

3

2

1

D

D

C

C

B

B

A

A