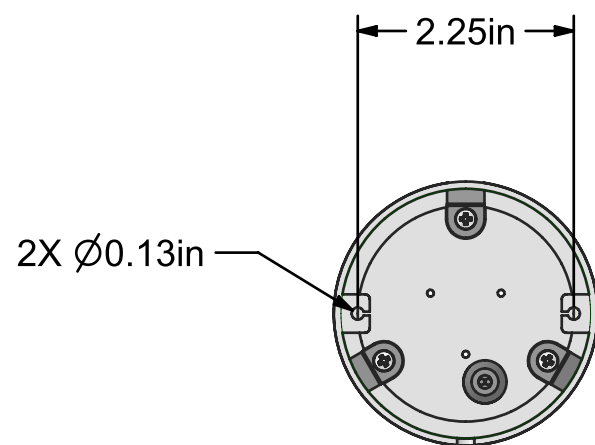
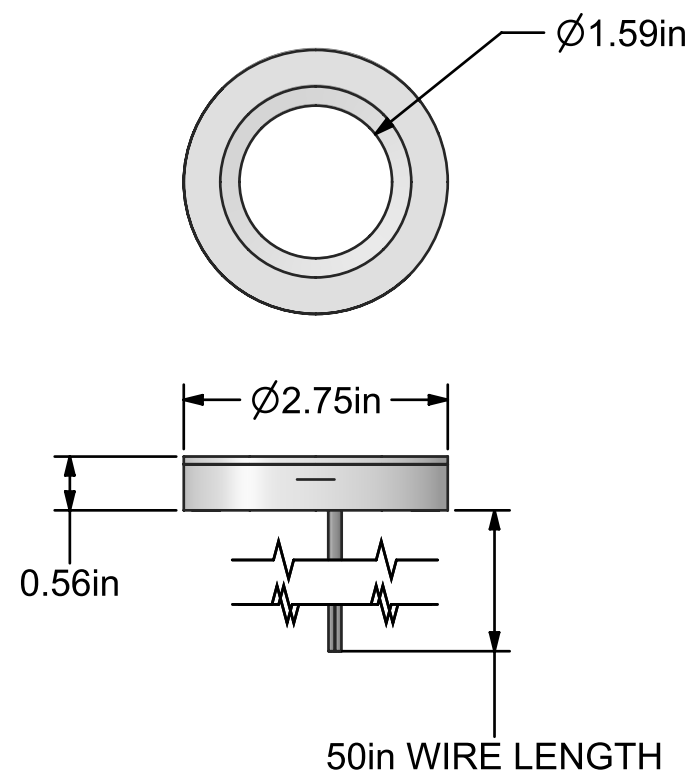
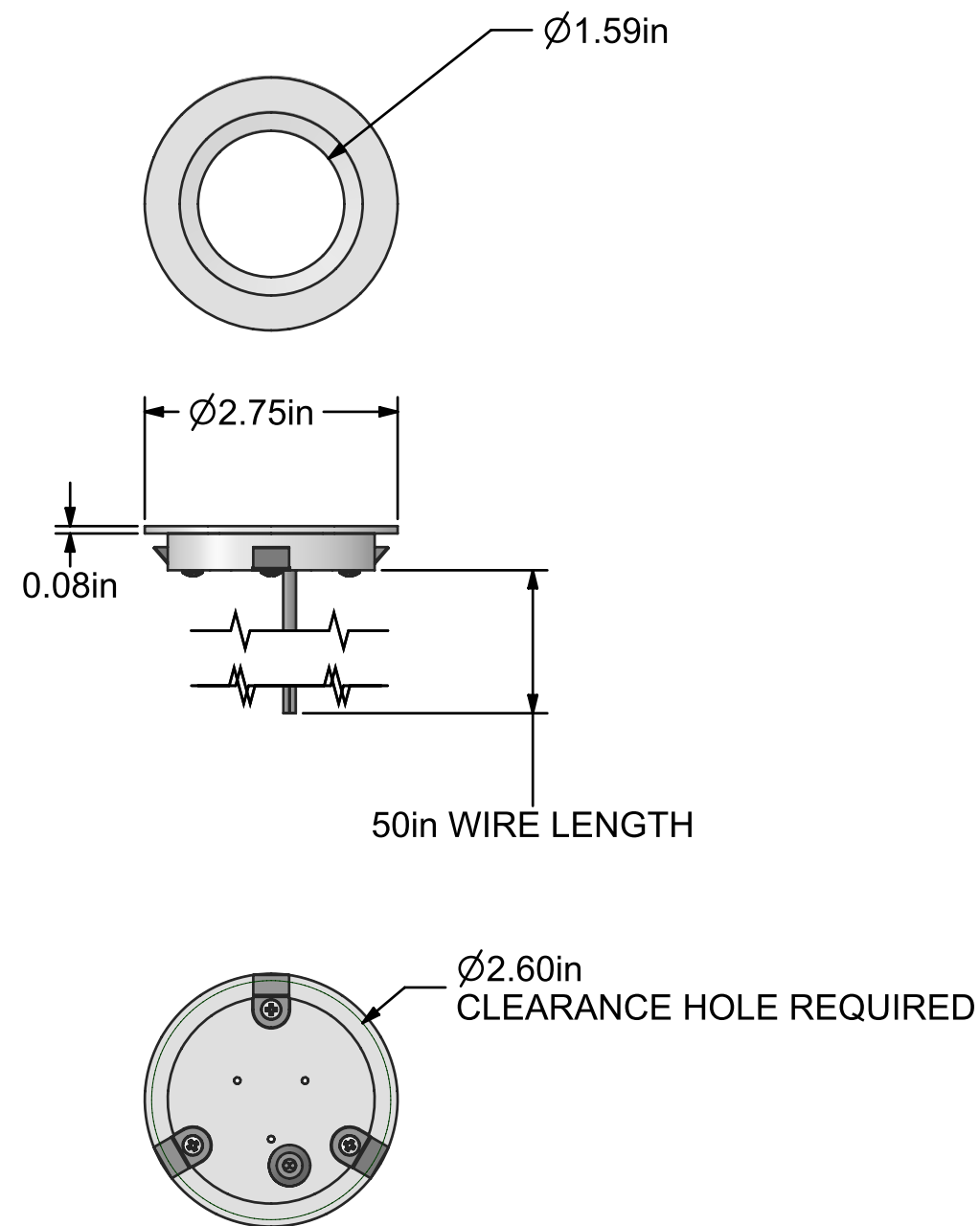



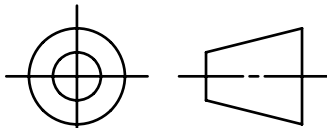
INSTALLATION REFERENCE DRAWING



WHEN FLUSH MOUNTED INSTALLATION



WHEN RECESSED MOUNTED INSTALLATION

	DESCRIPTION 2.75" DIFFUSED PUCK LIGHT	
	CREATED 1/13/2020	
<small>CONFIDENTIAL. Copyright © 2019 ASP Holdings, Inc. All Rights Reserved. All specifications subject to change at anytime without prior notice.</small> <small>The products shown herein incorporate features and technologies that are the sole intellectual property of ASP Holdings, Inc</small>	LAST SAVED 2/18/2020 3:26:19 PM	
	DRAWN BY DP	REVISION 0
<p>THIRD ANGLE PROJECTION</p> 	SHEET 1 OF 1	SCALE 1:2
	MATERIAL -	
	FINISH -	