



Wireless Tunable White Wall Controller + DMX AL-CTLR-CCT-DMXRF-WMT

IMPORTANT: Read All Instructions Prior to Installation

Product Data

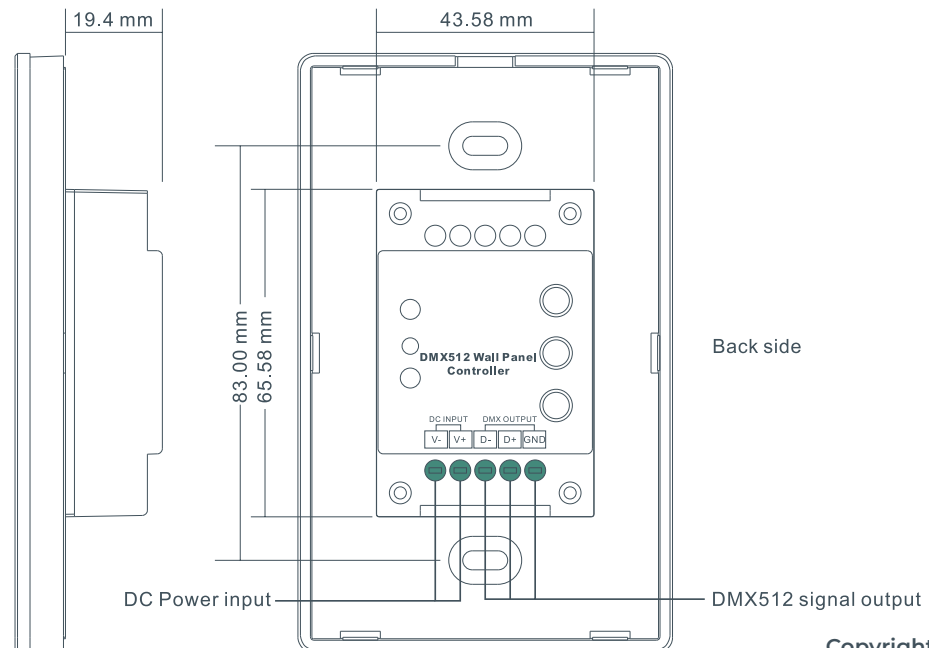
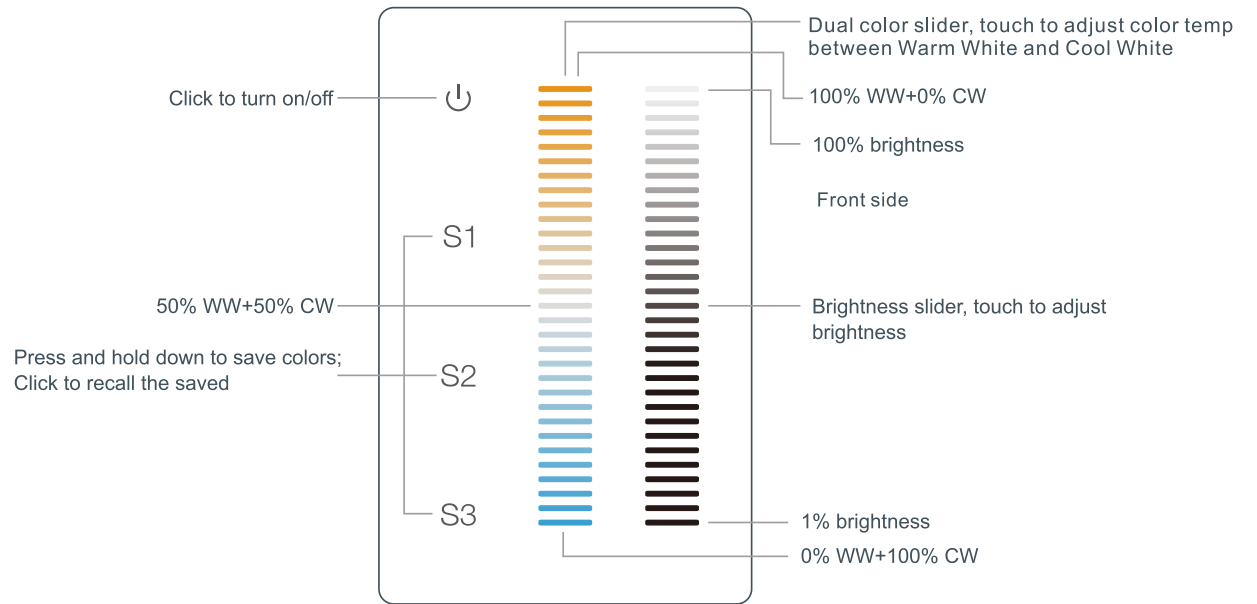
| | |
|-------------------|-----------------------|
| Output Signal | DMX512 Signal |
| Power Supply | 12-24VDC |
| Power Consumption | < 20mA |
| Operating Temp. | 0 – 40°C |
| Relative Humidity | 8% to 80% |
| Dimensions | 120mm X 75mm X 29.1mm |
| Waterproof Grade | IP20 Non-Waterproof |

Safety Warning

*DO NOT install this device while power is on.
DO NOT expose this device to moisture.
ALWAYS follow local installation and NEC guidelines.*

Device Features

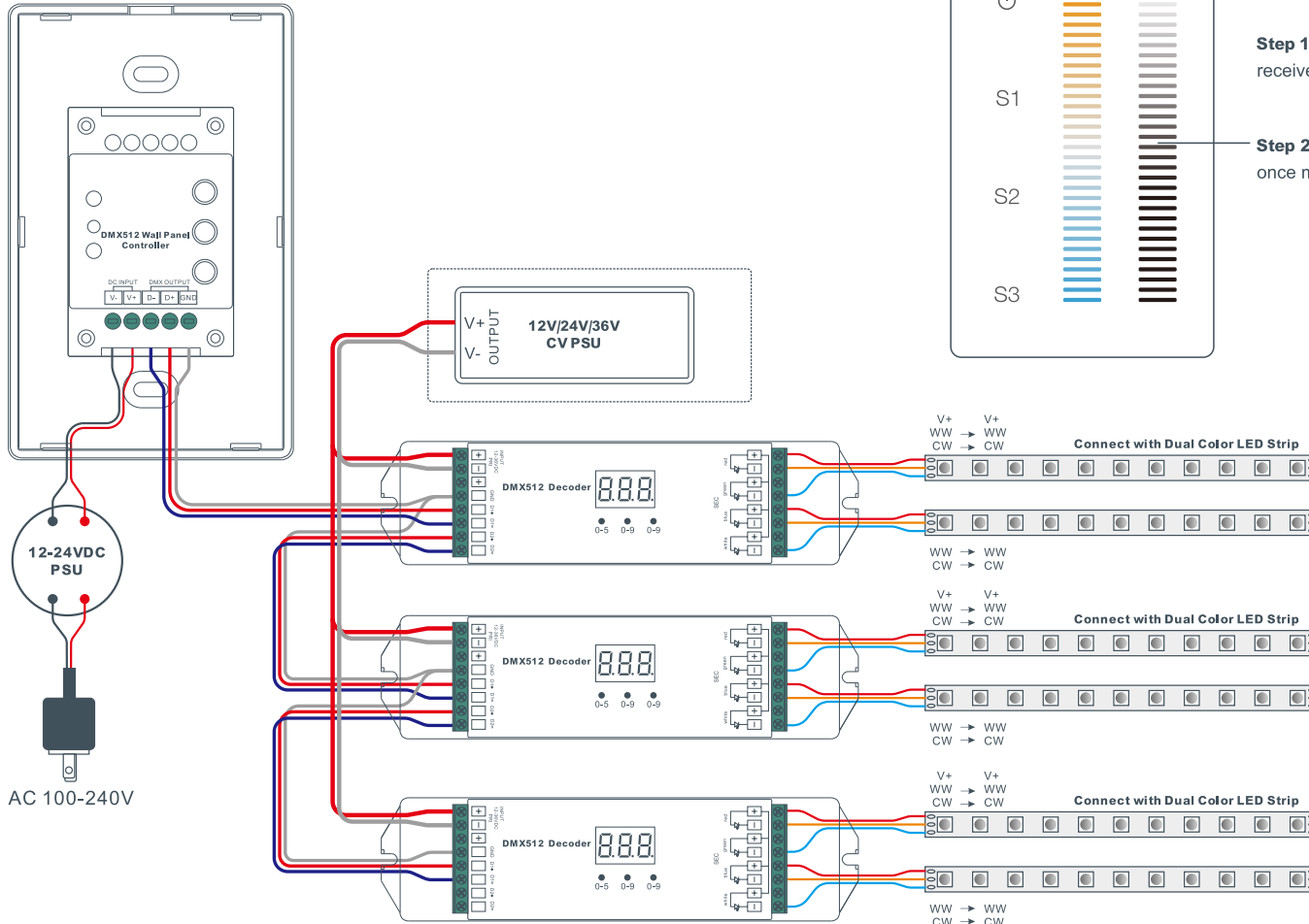
- Touch Sensitive
- Glass Interface
- Standard DMX512 Signal Output
- Can Send RF Signal, Controls RF Receivers
- 916.5MHz Radio Frequency
- Controls CCT Color
- Controls 1 Zone



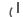
Set DMX Address

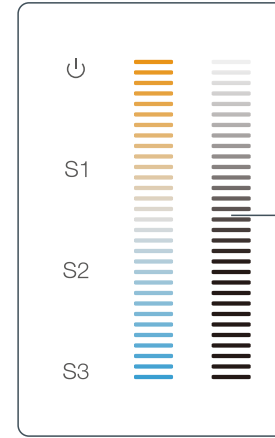
This DMX master controller can control many DMX decoders, please set all decoders' address as 001.

Wiring diagram



Pair with RF receiver

1. Do wiring the wall panel & RF receiver according to wiring diagram (please refer to the instruction of RF receiver that you would like to pair with)
2. Power on, then touch the button  to turn on the controller, indicator of the controller turned blue



Step 1: Click the "Learning Key" button on RF receiver or re-power on the receiver three times continuously to set it into pairing status

Step 2: Touch the slider, LED lights connected with the RF receiver flicker once means the receiver is paired with the remote successfully.

Installation

