



Wireless Multi-Zone LED Wall Dimmer Controller

AL-CTRL-DIM-4ZRF-WMT

IMPORTANT: Read All Instructions Prior to Installation

Product Data

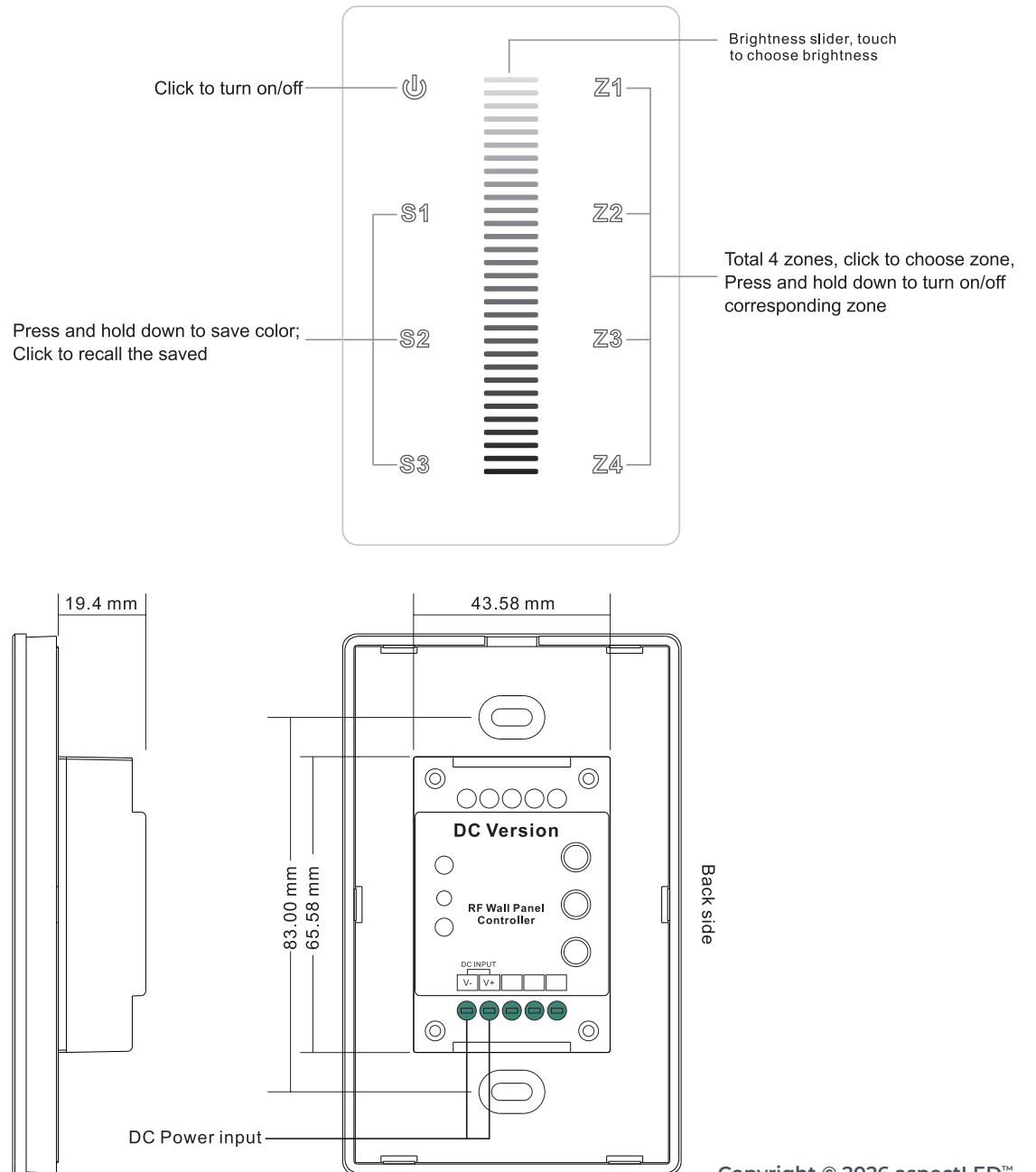
Output Signal	RF Signal
Power Supply	12-24VDC
Power Consumption	< 20mA
Operating Temp.	0 – 40°C
Relative Humidity	8% to 80%
Dimensions	120mm X 75mm X 29.1mm
Waterproof Grade	IP20 Non-Waterproof

Safety Warning


DO NOT install this device while power is on.
DO NOT expose this device to moisture.
ALWAYS follow local installation and NEC guidelines.

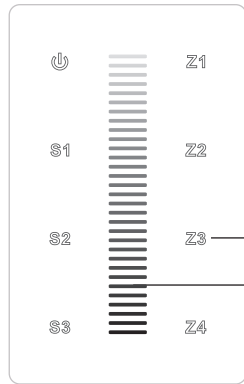
Device Features

- Touch Sensitive
- Glass Interface
- Compatible with all universal series RF Receivers
- 916.5MHz Radio Frequency
- Controls Single Color Luminaires
- Controls 4 Zones Synchronously & Independently



Operation

1. Do wiring the wall panel & RF receiver according to wiring diagram (please refer to the instruction of RF receiver that you would like to pair with)
2. Power on, then touch the button  to turn on the controller, indicator of the controller turned blue



Pair with RF receiver



Step 1: Click the "Learning Key" button on RF receiver or re-power on the receiver three times continuously to set it into pairing status

Step 2: Choose and click a zone number (e.g. zone 3)

Step 3: Touch the brightness slider, LED lights connected with the RF receiver flicker once means the receiver is paired with zone 4 successfully.



Save color/scene/mode

Step 1: Choose and click one or multiple paired zone numbers (e.g. zone 1)

Step 2: Touch the brightness slider to select the scene you like

Step 3: Press and hold any scene buttons of S1-S3 (e.g. S1), LED lights connected with the RF receiver flicker once means the color/scene was saved successfully.

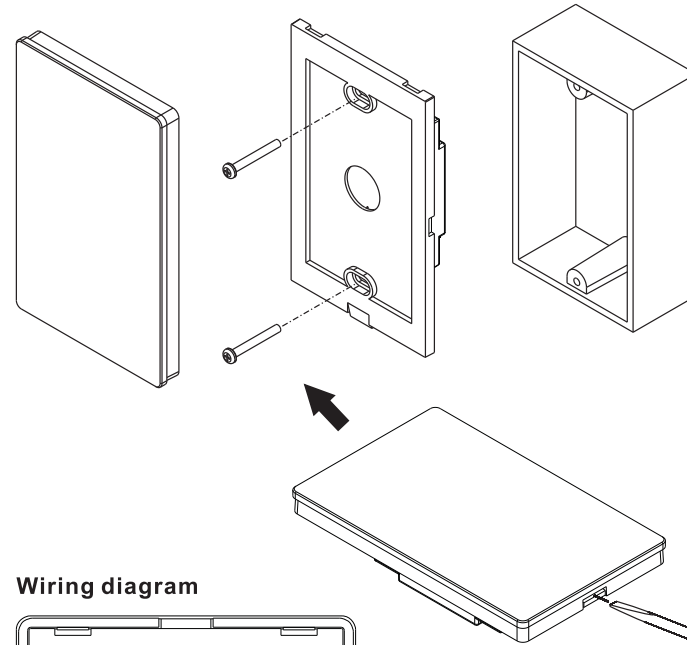


Recall the saved colors/scenes

Step 1: Choose and click one or multiple paired zone numbers (e.g. zone 1)

Step 2: Click any scene buttons of S1-S3 (e.g. S1) to recall the saved scene

Installation



Wiring diagram

