



In-Wall Touch Panel Controller

DMX + RF for RGB CCT Lights

AL-CTLR-RGBCCT-1ZRF-DMX-WMT

IMPORTANT: Read All Instructions Prior to Installation

Product Data

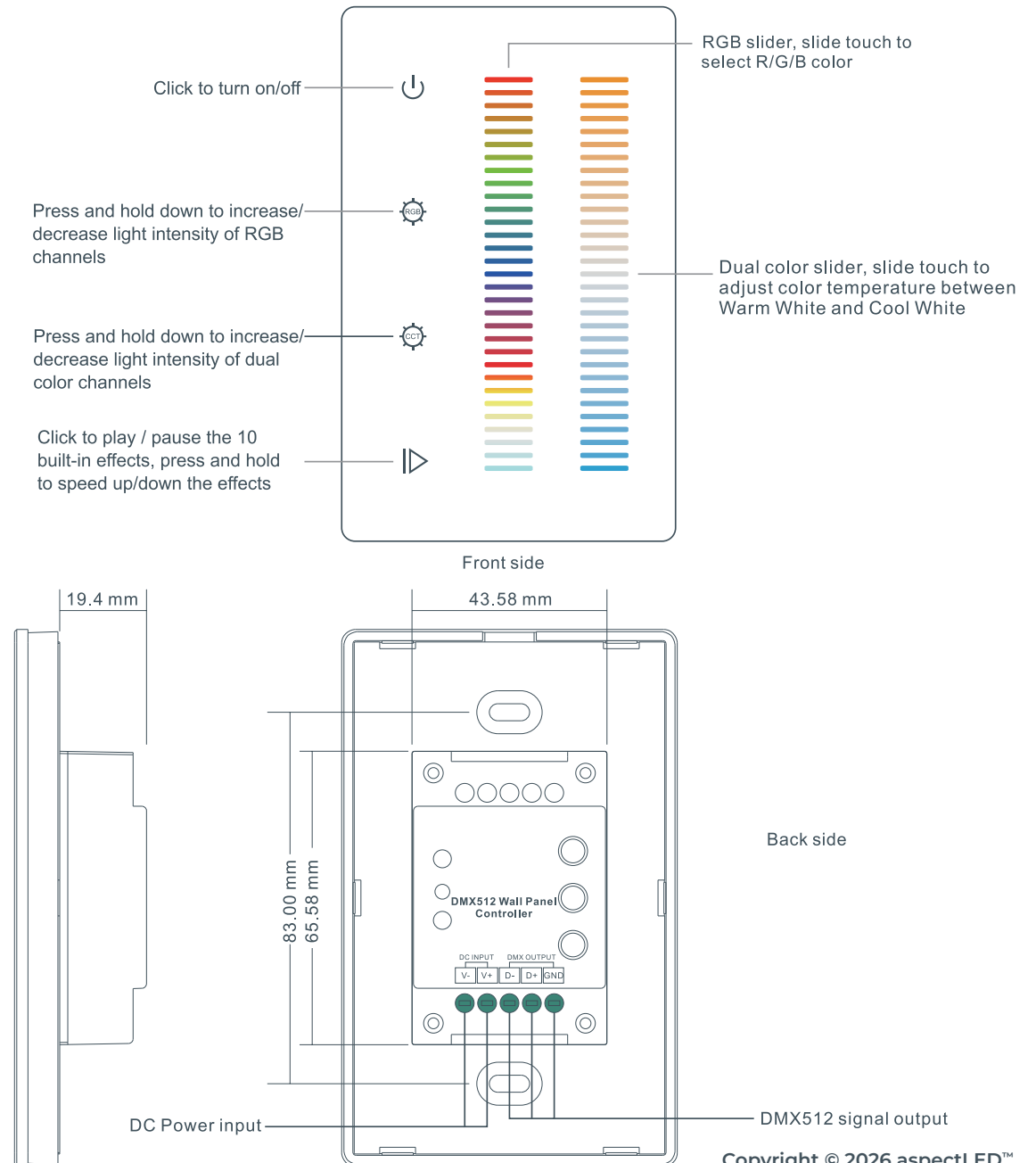
Output Signal	DMX512 + RF Signal
Power Supply	12-24VDC
Power Consumption	< 20mA
Operating Temp.	0 – 40°C
Relative Humidity	8% to 80%
Dimensions	120mm X 75mm X 29.1mm
Waterproof Grade	IP20 Non-Waterproof

Safety Warning

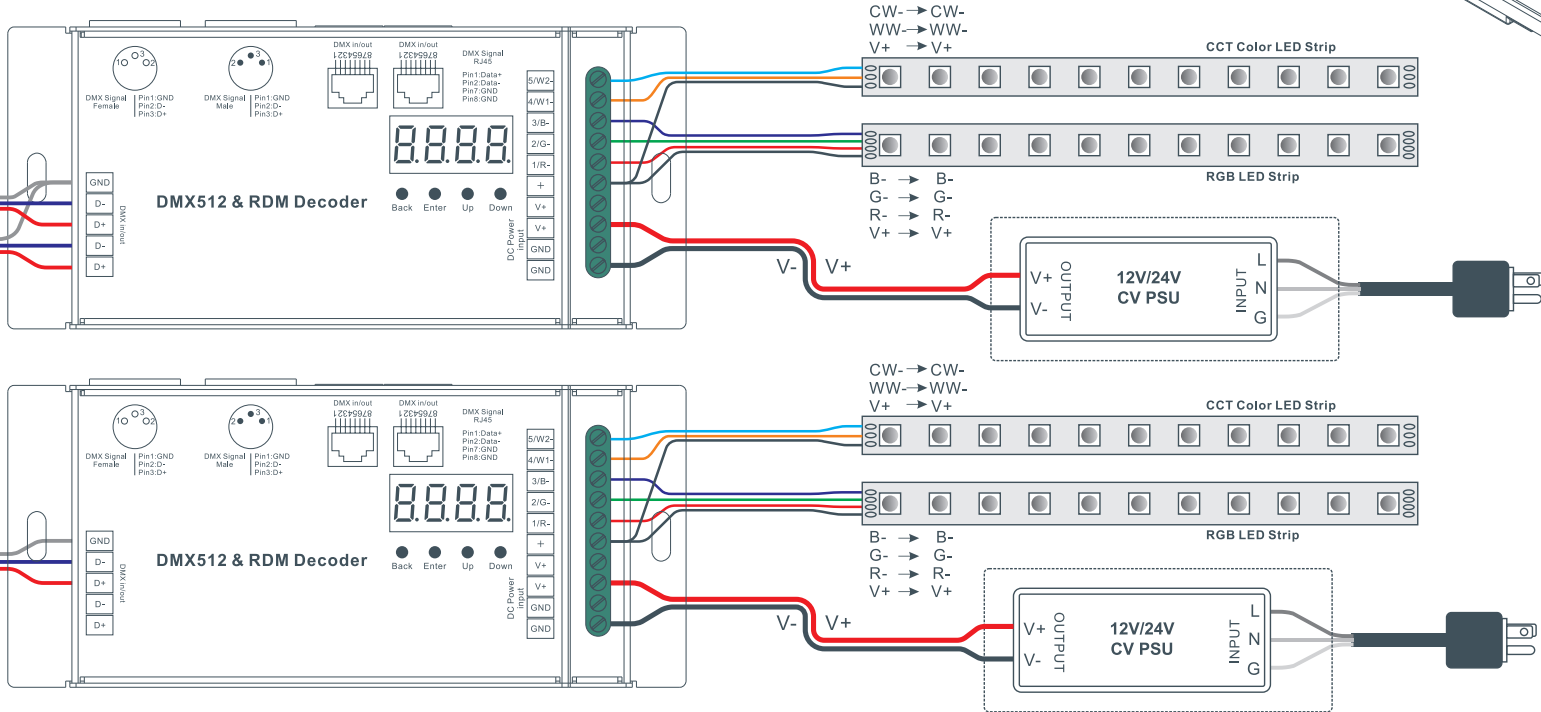
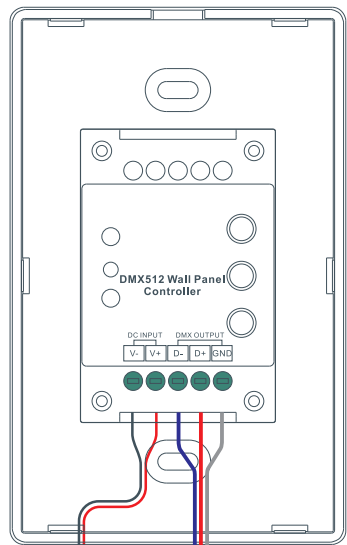
DO NOT install this device while power is on.
DO NOT expose this device to moisture.
ALWAYS follow local installation and NEC guidelines.

Device Features

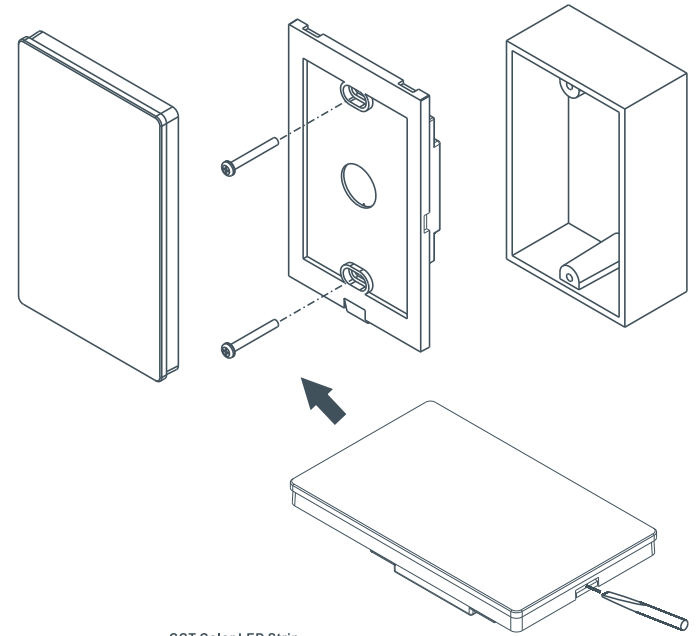
- Touch Sensitive
- Glass Interface
- Standard DMX512 Signal Output
- Control RGB+CCT Color
- Controls 1 Zone



Wiring diagram




Installation



Set DMX Address

This DMX master controller can control many DMX decoders, please set all decoders' address as 001.
Note: one DMX decoder has 5 channels, so it occupies 5 DMX addresses 001, 002, 003, 004, 005.

Pair with RF receiver

1. Do wiring the wall panel & RF receiver according to wiring diagram (please refer to the instruction of RF receiver that you would like to pair with)
2. Power on, then touch the button  to turn on the controller, indicator of the controller turned blue

