



Wireless RGB CCT 5 Channel LED Controller

AL-CTRL-RGBCCT-5CP

IMPORTANT: Read All Instructions Prior to Installation

Product Data

Input Voltage	12-48 VDC
Output Current	Max. 8A/CH@12/24V Max. 6A/CH@36V Max. 4A/CH@48V
Output Power	Max. 96W/CH@12V Max. 192W/CH@24V Max. 216W/CH@36V Max. 192W/CH@48V
Connector Current	Max. 20A
Wire Size	0.05-3.3mm ² (12-30AWG)
Remarks	Constant Voltage
Dimensions	170mm X 59mm X 29mm
Ambient Temperature	-20°C ~ 50°C
Max Casing Temperature	75°C
Radio Frequency	869.5/916.5/434mHZ
Waterproof Grade	IP20

Safety Warning

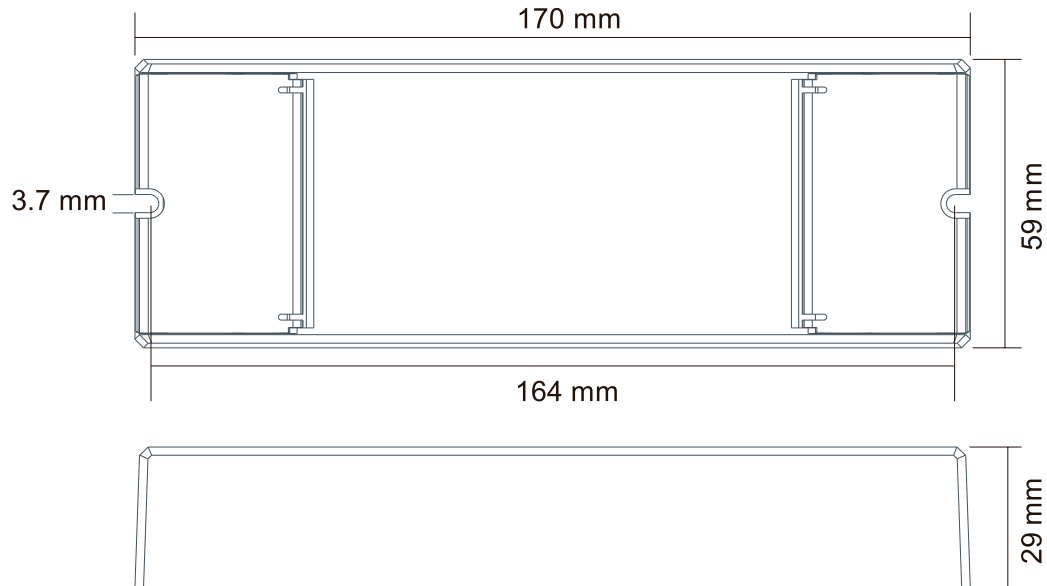
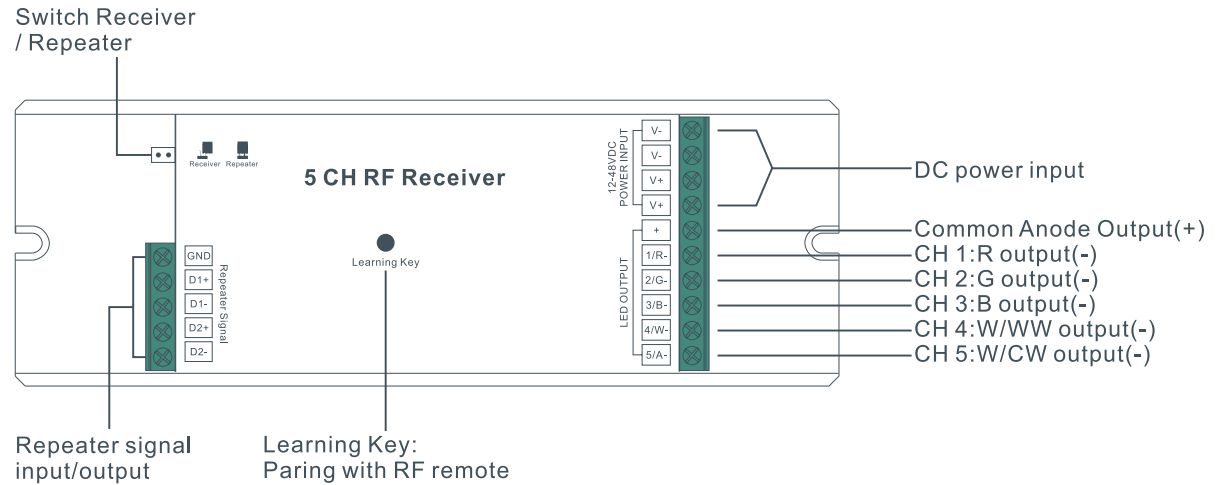
DO NOT install this device while power is on.
DO NOT expose this device to moisture.
ALWAYS follow local installation and NEC guidelines.

Pairing with RF Remote

- Wire the device according to the wiring diagram.
- Pair RF Receiver with RF Remote: see RF remote instructions.
- To delete the pairing, wire the RF receiver and power on the device. Then, Press and hold the "Learning Key" button on the receiver for 3 seconds until the connected luminaire flashes. Once it flashes, the pairing has been removed.

Receiver/Repeater Setting Jumper:

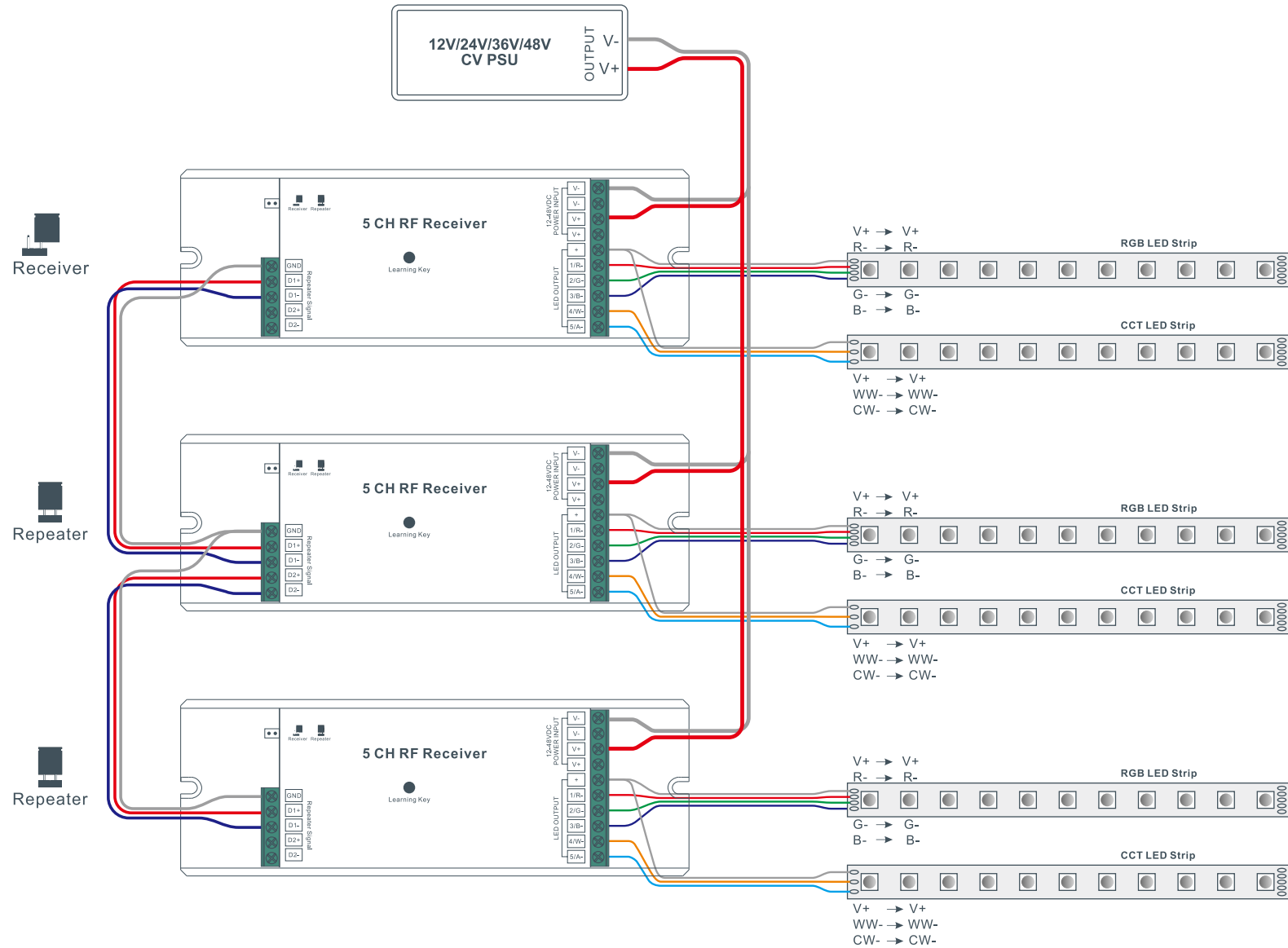
One receiver can connect multiple repeaters to synchronize your system.



Wiring Diagram

Use this diagram when the total load of each receiver is not over 20A.

For over 20A per receiver, see next page.



Wiring Diagram

Use this diagram when the total load of each receiver is over 20A.

For under 20A per receiver, see previous page.

