



Wireless RGBW Multi-Zone LED Wall Controller

AL-CTLR-RGBW-3ZRF-WMT

IMPORTANT: Read All Instructions Prior to Installation

Product Data

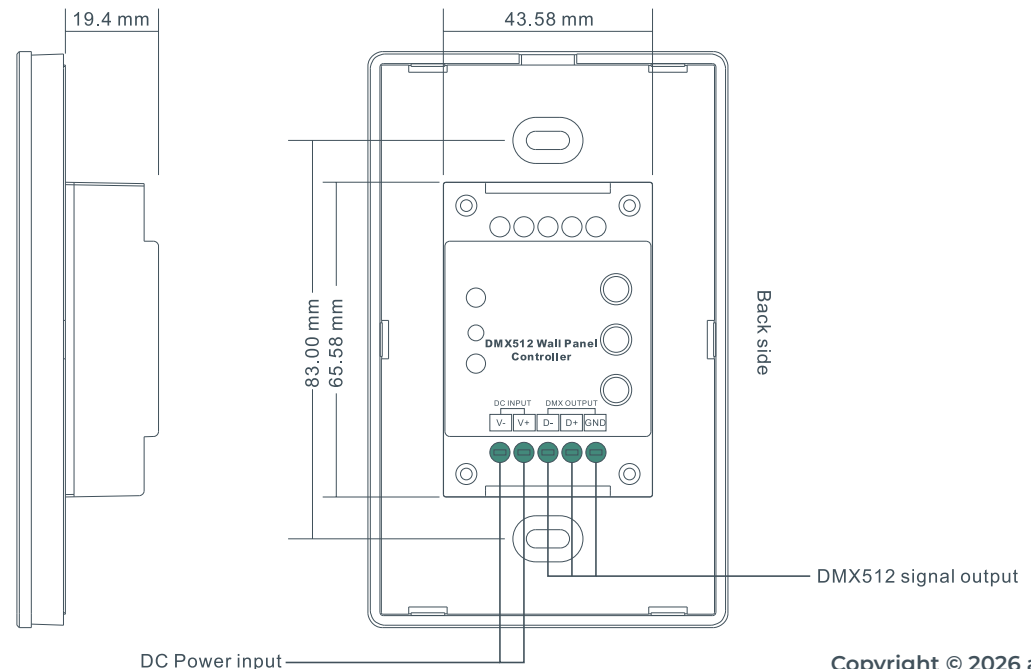
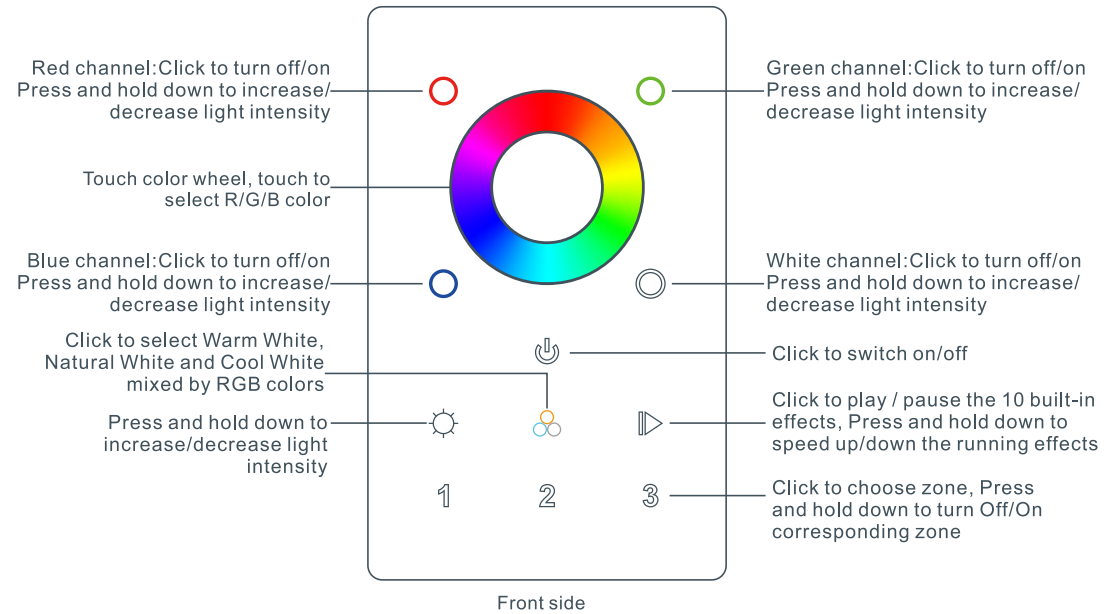
Output Signal	DMX512 + RF Signal
Radio Frequency	916.5 MHz
Power Supply	12-24VDC
Operating Temp.	0 – 40°C
Relative Humidity	8% to 80%
Dimensions	120mm X 75mm X 29.1mm
Waterproof Grade	IP20 Non-Waterproof

Safety Warning

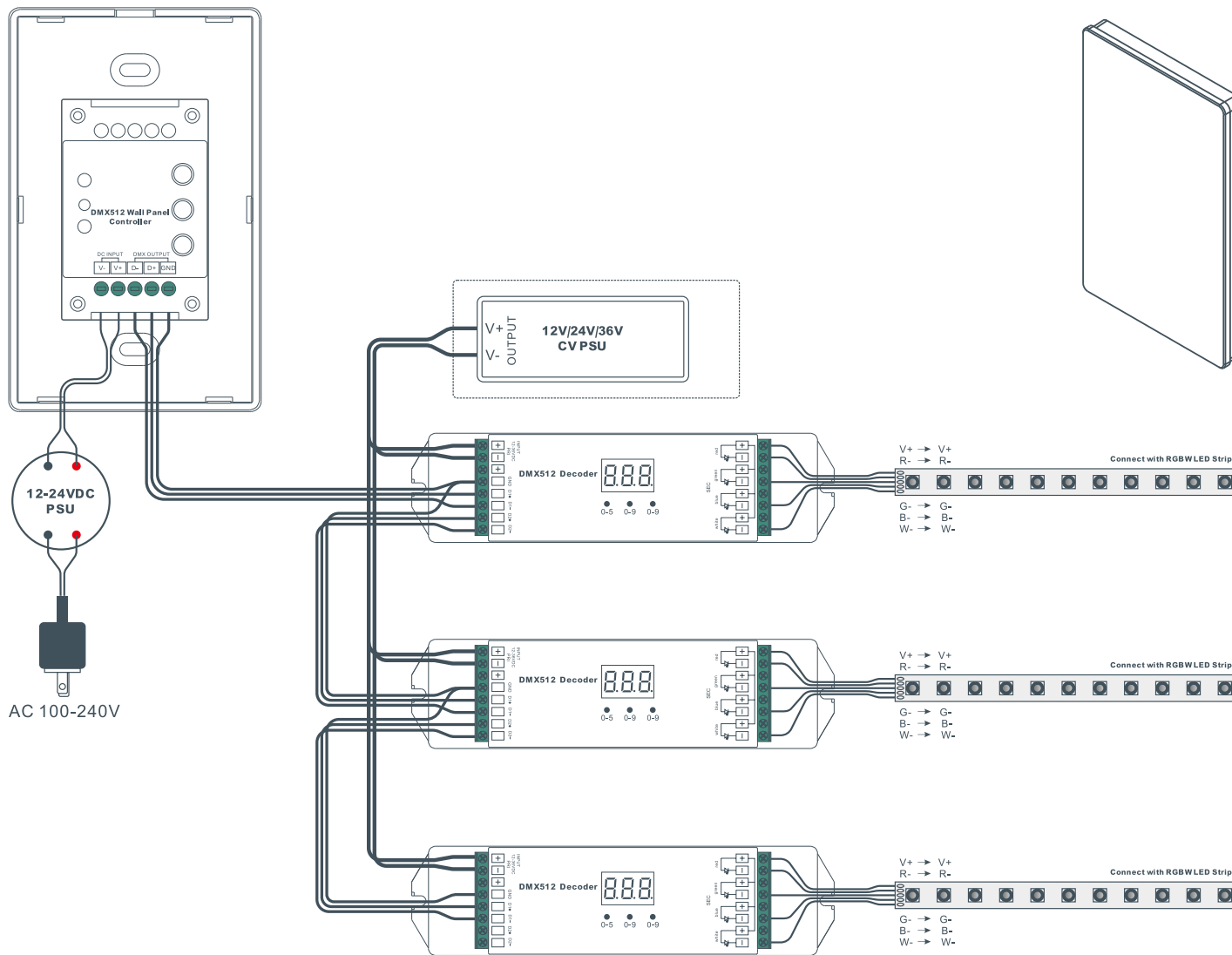
DO NOT install this device while power is on.
DO NOT expose this device to moisture.
ALWAYS follow local installation and NEC guidelines.

Device Features

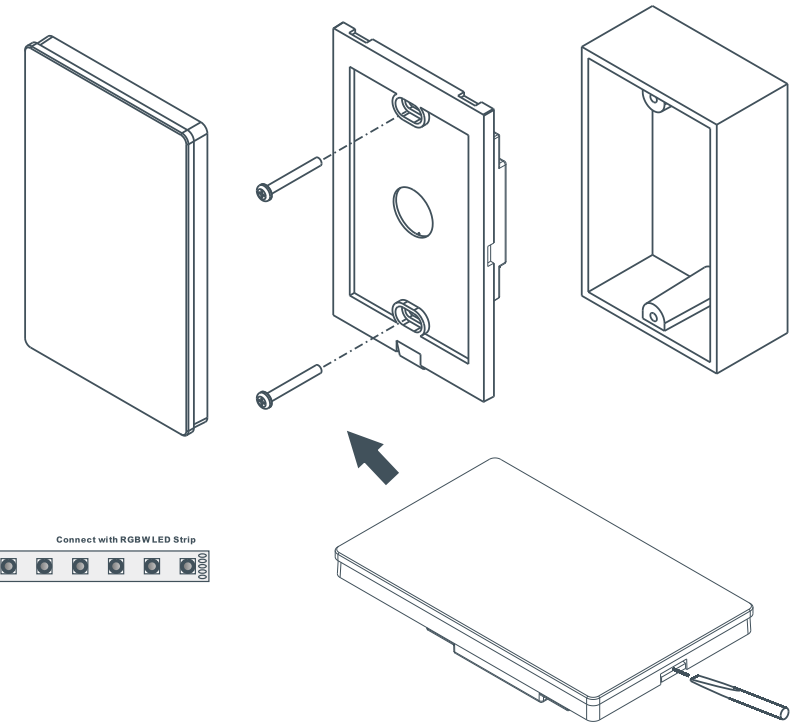
- Control 3 zones independently
- RGBW Color Controller
- Touch Sensitive
- Glass Interface (White & Black)
- Standard DMX512 Signal Output
- Can Send RF Signal & Control the RF Receiver



Wiring diagram




Installation



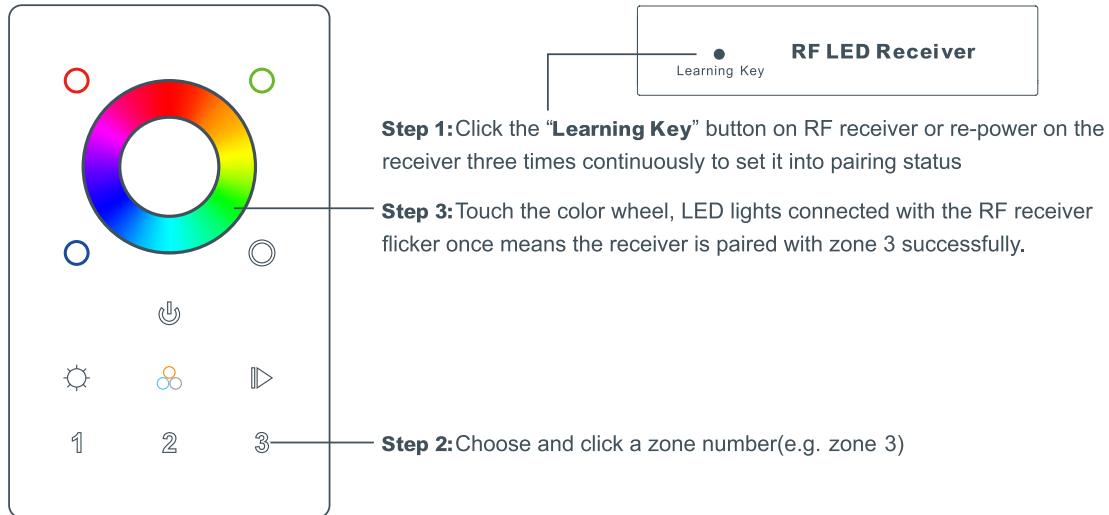
Set DMX Address

This DMX master controller controls 4 zones of DMX decoders by setting DMX decoders' address as follows:
DMX decoders with address 001 will be controlled by zone 1,
DMX decoders with address 005 will be controlled by zone 2,
DMX decoders with address 009 will be controlled by zone 3

Operation

1. Do wiring the wall panel & RF receiver according to wiring diagram (please refer to the instruction of RF receiver that you would like to pair with)
2. Power on, then touch the button  to turn on the controller, indicator of the controller turned blue

Pair with RF receiver(Method 1)



Pair with RF receiver(Method 2)

