

RGBCCT 5 Channel PWM Booster - Signal Amplifier AL-CTLR-RPT5

IMPORTANT: Read All Instructions Prior to Installation

Product Data

Input Voltage	12VDC - 36VDC
Output Current	5 X 5 A
Output Power	5 X (60-180)W
Remarks	Constant Voltage
Dimensions	170x59x29mm
Waterproof Grade	IP20 Non-Waterproof

Safety Warning

This device contains AAA batteries that must be stored and disposed of properly. Follow local guidelines for battery disposal or recycling. **DO NOT** expose this device to moisture.

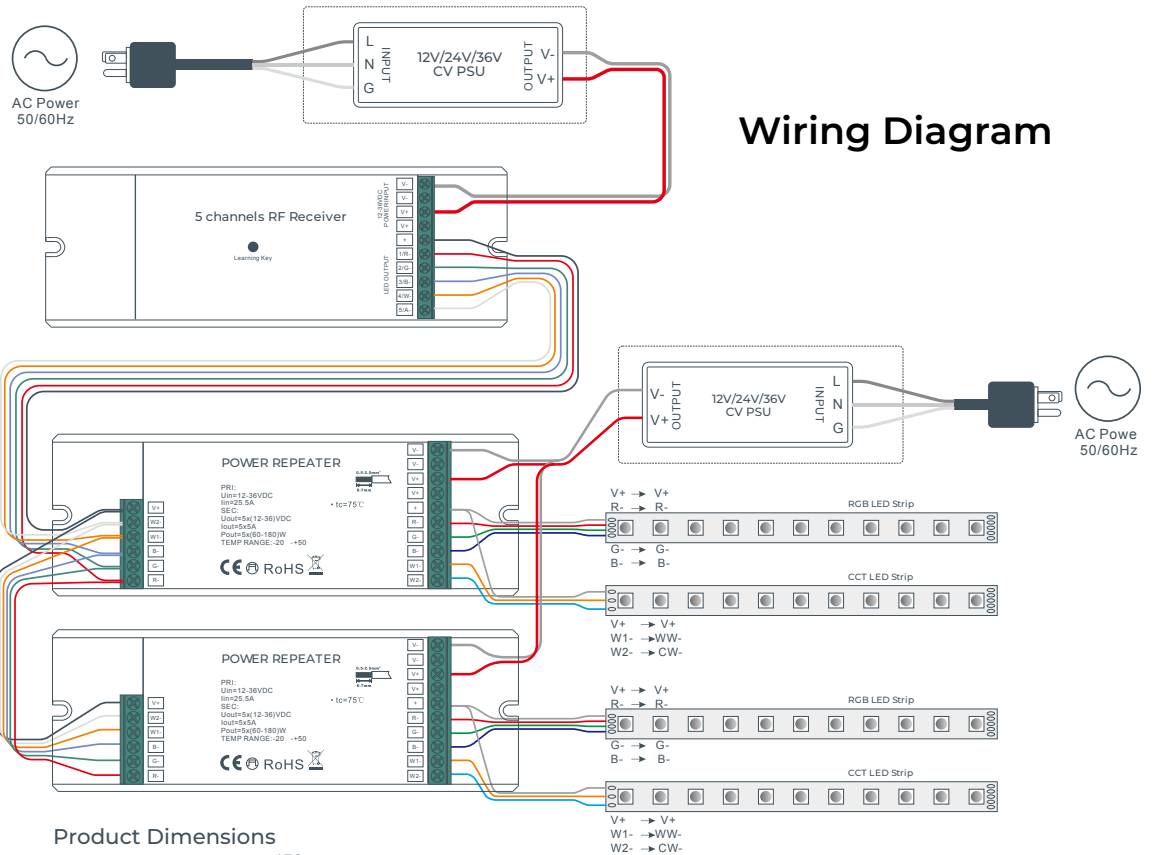
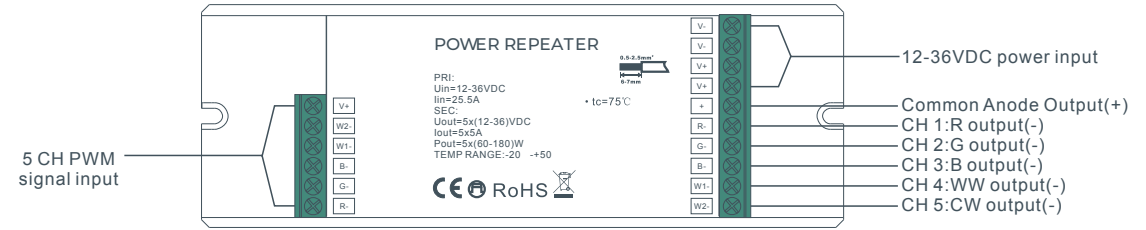
Device Features

- Repeater Dimming Signal
- 5 Channel PWM Signal Input
- 5 Channel LED Output
- Max Up to 5A/Channel
- Power repeater in series expands output
- Controls RGB+CCT LED Lighting

Operation

LED power repeater is suitable for all of our single color, CCT, RGB, and RBG+CCT controllers to expand power output, it supports PWM control and connects 1-3 times more LEDs by adding one more power repeater, and multiple power repeaters can be connected together.

The constant voltage power repeater and constant current power repeaters can be connected together, which is convenient for controlling LEDs with different voltage and power.



Product Dimensions

